

LUXMAN

OWNER'S MANUAL
BEDIENUNGSANLEITUNG
MODE D'EMPLOI
MANUAL DE OPERACION

K-112

Stereo Cassette Deck



WARNING: To reduce the risk of fire or electric shock, do not expose this appliance to rain or moisture.

AVIS: Pour éviter tout risque d'électrocution, n'exposez pas cet appareil à l'humidité.

CAUTION: To prevent electric shock, do not use this (polarized) plug with an extension cord, receptacle or other outlet unless the blades can be fully inserted to prevent blade exposure.

ATTENTION: Pour prévenir les chocs électriques, ne pas utiliser cette fiche polarisée avec un prolongateur, une prise de courant ou une autre sortie de courant, sauf si les lames peuvent être insérées à fond sans en laisser aucune partie à découvert.

Dolby noise reduction and HX Pro headroom extension manufactured under license from Dolby Laboratories Licensing Corporation. HX Pro originated by Bang & Olufsen.

Réduction de bruit Dolby et HX Pro headroom extension fabriquées sous licence de Dolby Laboratories Licensing Corporation. HX Pro est d'origine Bang & Olufsen.

"DOLBY", the double-D symbol and "HX PRO" are trademarks of Dolby Laboratories Licensing Corporation.

DOLBY, le symbole double-D et HX PRO sont des marques de Dolby Laboratories Licensing Corporation.

ACHTUNG: Zur Verhütung von Bränden und elektrischen Schlägen, dieses Gerät weder Regen noch Feuchtigkeit aussetzen.

ADVERTENCIA: A fin de prevenir incendios y descargas eléctricas, no exponga este aparato a la lluvia ni a la humedad.

Dolby Rauschunterdrückung und HX Pro headroom extension hergestellt unter Lizenz von Dolby Laboratories Licensing Corporation. HX Pro entstand bei Bang & Olufsen.

Reducción de ruido Dolby y HX Pro headroom extension fabricados bajo licencia de Dolby Laboratories Licensing Corporation. HX Pro producido por Bang & Olufsen.

DOLBY, das doppel D symbol und HX PRO sind Warenzeichen der Dolby Laboratories Licensing Corporation.

DOLBY, el símbolo de la D doble y HX PRO son marcas de Dolby Laboratories Licensing Corporation.

TABLE OF CONTENTS

CONTENTS

CONTROLS, SWITCHES, JACKS & TERMINALS	4, 5 & 6
CONNECTION GUIDELINES	6
CONNECTION DIAGRAM	7
OPERATION GUIDELINES	8 & 9
CARE AND MAINTENANCE	10
SPECIFICATIONS	10
BLOCK DIAGRAM	32

INHALT

REGLER, SCHALTER, STECKER & ANSCHLÜSSE	11, 12 & 13
ANSCHLUSSDIAGRAMM	14
VORNEHMEN DER ANSCHLÜSSE	15
BEDIENUNGSANLEITUNG	15 & 16
PFLEGE & UNTERHALT	17
TECHNISCHE DATEN	17
BLOCKDIAGRAMM	32

CONTENU

COMMANDES, COMMUTATEURS, PRISES ET BORNES	18, 19 et 20
DIRECTIVES DE BRANCHEMENT	20
DIAGRAMME DE BRANCHEMENT	21
DIRECTIVES D'EXPLOITATION	22 et 23
SOIN ET ENTRETIEN	24
CARACTERISTIQUES TECHNIQUES	24
DIAGRAMME DES BLOCS	32

MATERIAS

CONTROLES, INTERRUPTORES, TOMAS Y TERMINALES	25, 26 y 27
DIAGRAMA DE LAS CONEXIONES	28
GUÍA DE LAS CONEXIONES	29
GUÍA DE LA OPERACIÓN	29 y 30
CUIDADO Y MANTENIMIENTO	31
ESPECIFICACIONES	31
DIAGRAMA DE BLOQUE	32

CONTROLS, SWITCHES, JACKS & TERMINALS

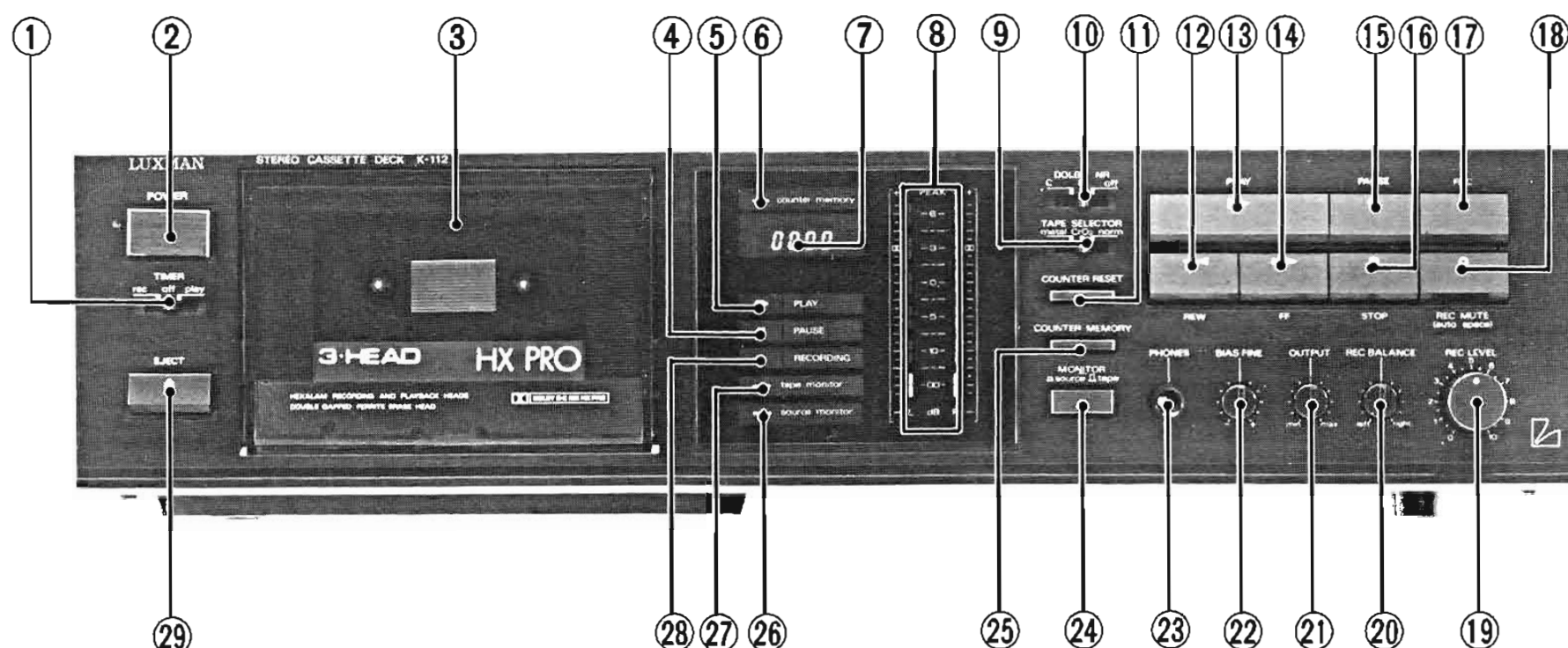


Fig. 1

FRONT PANEL (Fig. 1)

1. TIMER Switch

Set this switch to the PLAY or RECOrd position when you use an AC timer to turn the power on. Set this switch to the OFF position when you do not use the timer.

2. POWER Button

Depress the button to turn on or off the power. When the power is turned on, the Tape Counter will light up.

3. Cassette Holder

4. PAUSE Mode Indicator

When the PAUSE Button (**||**) is pressed, the indicator lights up to show that the tape transport mechanism is in the "PAUSE" mode.

5. PLAY Mode Indicator

When the PLAY Button (**▶**) is pressed, the indicator lights up to show that the tape transport mechanism is in the "PLAY" mode.

6. Tape COUNTER MEMORY Indicator

When the COUNTER MEMORY button is pressed, the COUNTER MEMORY indicator lights up. If the REWInd (**◀**) button is pressed when the COUNTER MEMORY indicator is on, the LED display goes back to "9999" and playback resumes at "0000".

7. Tape Counter

This counter is a 4-digit LED display counter useful to locate the outset of a music passage, etc.

8. PEAK Level Meters

When the MONITOR button is pressed in to the "SOURCE" position, the signal level input at the INPUT terminals on the rear panel of this deck will be displayed on the meters. When the MONITOR button is in the out (TAPE) position, the signal level of the tape being played/recorded will be displayed. Adjust the signal input level for optimum recording by rotating the REC LEVEL control.

9. TAPE SELECTOR Switch

You can select the proper recording and playback equalizer/bias for various types of tape.

[normal]: For playback and recording on the normal tape. (Equalizer time-constant is 120 μ sec.)

[CrO₂]: For playback and recording on the CrO₂ tape. (Equalizer time-constant is 70 μ sec.)

[metal]: For use of metal particle tape. (Equalizer time-constant is 70 μ sec.)

CONTROLS, SWITCHES, JACKS & TERMINALS

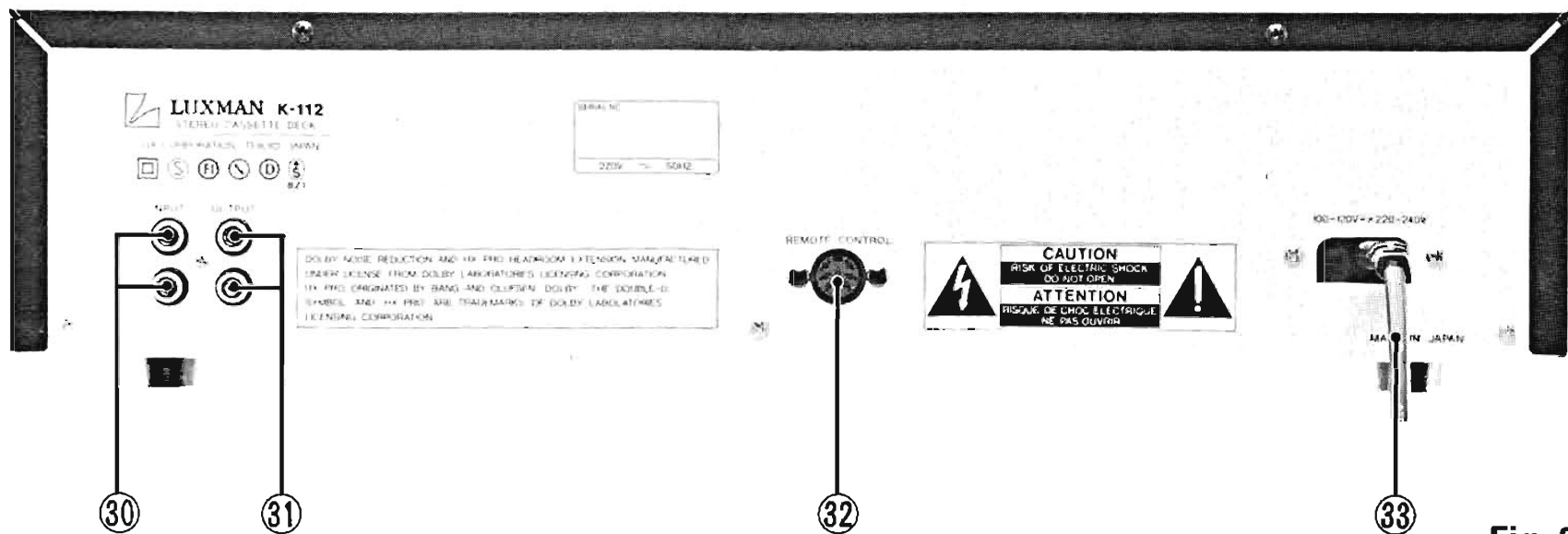


Fig. 2

10. Dolby NR Select Switch

Now the most up-to-date Dolby C-type NR system, that provides superb NR effect in the mid-to-high frequency range, is employed in addition to conventional B-type NR system. Set to the correct NR systems. Place to the OFF position when Dolby NR system is not used.

11. COUNTER RESET Button

When this button is depressed, the indication of the tape counter shows "0000". This device is useful at the time of starting the recording.

12. REWIND Button (◀◀)

This button is to rewind the tape quickly from the right reel to the left reel. At the end of the tape, the movement stops automatically, because auto-stop mechanism functions at the end of the tape.

13. PLAY Button (▶)

Press this button, and the deck is put into the PLAY mode and playback of recorded tape is feasible.

14. Fast Forward Button (▶▶)

This button allows to forward the tape quickly from the left reel to right reel. At the end of the tape, the movement stops automatically, because auto-stop mechanism functions at the end of the tape.

15. PAUSE Button (||)

When the button is depressed, the movement of the tape transport mechanism is temporarily halted during playback or recording. The playback or recording can be resumed at the next touch to the PLAY Button

16. STOP Button (■)

When pressed, the total movement ceases.

17. RECORD Button (●)

Recording starts once both of the "REC" and "PLAY" buttons are pushed simultaneously.

18. RECORDING MUTE Button (○)

When this button is depressed during recording, an unrecording blank (mute) portion on the tape will be made while the button is depressed, and the tape is put on PAUSE mode when the button is released.

19. RECORDING LEVEL Control

Rotate this control clockwise to increase the recording level and counterclockwise to decrease the recording level.

20. RECORDING BALANCE Control

Adjust this control to balance the recording signal levels for the left and right channels by reading the PEAK meters.

21. OUTPUT Level Control

This control is to adjust the output signal levels at the OUTPUT terminals and Headphone Jack.

22. BIAS FINE Control

This control allows subtle adjustment of bias. When the control is turned all the way counter-clockwise, 20% less bias is provided. When it is turned all the way clockwise, 20% more bias is provided. For normal use, set the control at the center (click) position.

23. HEADPHONES Jack

Connect the headphones for private listening or monitoring of program source.

CONTROLS, SWITCHES, JACKS & TERMINALS

24. MONITOR Select Button

Use this button to select between the SOURCE and TAPE positions. When the button is set to the SOURCE position, you can monitor the input signals at the INPUT terminals of the deck. When set to the TAPE position, you can monitor the recorded signals on the tape being recorded.

25. COUNTER MEMORY Button

See "Tape COUNTER MEMORY Indicator" section.

26. SOURCE MONITOR Indicator

This indicator lights up when the SOURCE position is set by pressing in the MONITOR button. The signals fed into the INPUT terminals are directly output at the OUTPUT terminal.

27. TAPE MONITOR Indicator

This indicator lights up when the TAPE position is selected by the MONITOR button. The playback signals of the tape in the deck appear at the OUTPUT terminals on the rear panel.

28. RECORDING Indicator

When the Recording Button (●) and the PLAY Button are pressed simultaneously, the indicator lights up to show that the tape transport mechanism is in the RECORDING mode.

29. EJECT Button (▲)

Press the EJECT button and the cassette holder opens to load or unload the cassette tape. Note that a mechanical lock is provided so that the EJECT Button should not function during recording and playback. First, press the STOP Button, then press the EJECT Button.

REAR PANEL (Fig. 2)

30. Line INPUT Terminals

These terminals are to be connected to the output of tuner or amp used as a recording source. The input sensitivity is 100mV.

31. OUTPUT Terminals

Connect these terminals to the input terminals such as the monitor terminals of the amplifier for playback. The output voltage is 500mV.

32. REMOTE CONTROL Socket

The System Remote Control Center (F-105 or U-100) available on option can be connected to this socket.

33. AC Power Jack/Voltage Selector (100 — 120V/220 — 240V)

Confirm that the voltage selector is placed to the correct position matching to the voltage of AC wall outlet. Connect one end of the AC cord (provided with the deck) to this AC Power Jack of the deck and the other end to the AC outlet on the wall.

* Canadian version has the AC cord already connected to the deck. Just plug the AC cord to the AC wall outlet.

CONNECTION GUIDELINES

CONNECTION TO AUDIO AMPLIFIER

Connect the Input Terminals to the REC. OUT Terminals of your unit (Amplifier or Receiver), and the Output Terminals to the Monitor Terminals of an audio amplifier using the pin plug cord provided. During this procedure, be sure to keep the Power Switch turned off.

CONNECTION TO POWER SUPPLY

Connect the plug at the end of the Power Cord to the power supply source in your listening room. When an extra AC outlet (SWITCHED) is available with your audio amplifier, it is recommended to use this outlet since the ON/OFF operation of the Power Switch of the amplifier is common to that of the deck.

CONNECTION TO REMOTE CONTROL SYSTEM

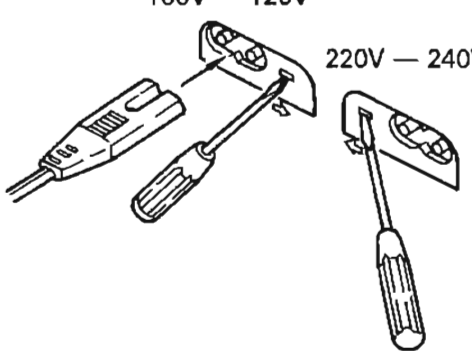
The K-112 can be connected to the Receiver (R-406) or the System Remote Control Center (F-105 or U-100, etc.) and remotely controlled through the wireless remote control unit supplied with them.

For details of connections and operations, refer to the owner's manual attached to them.

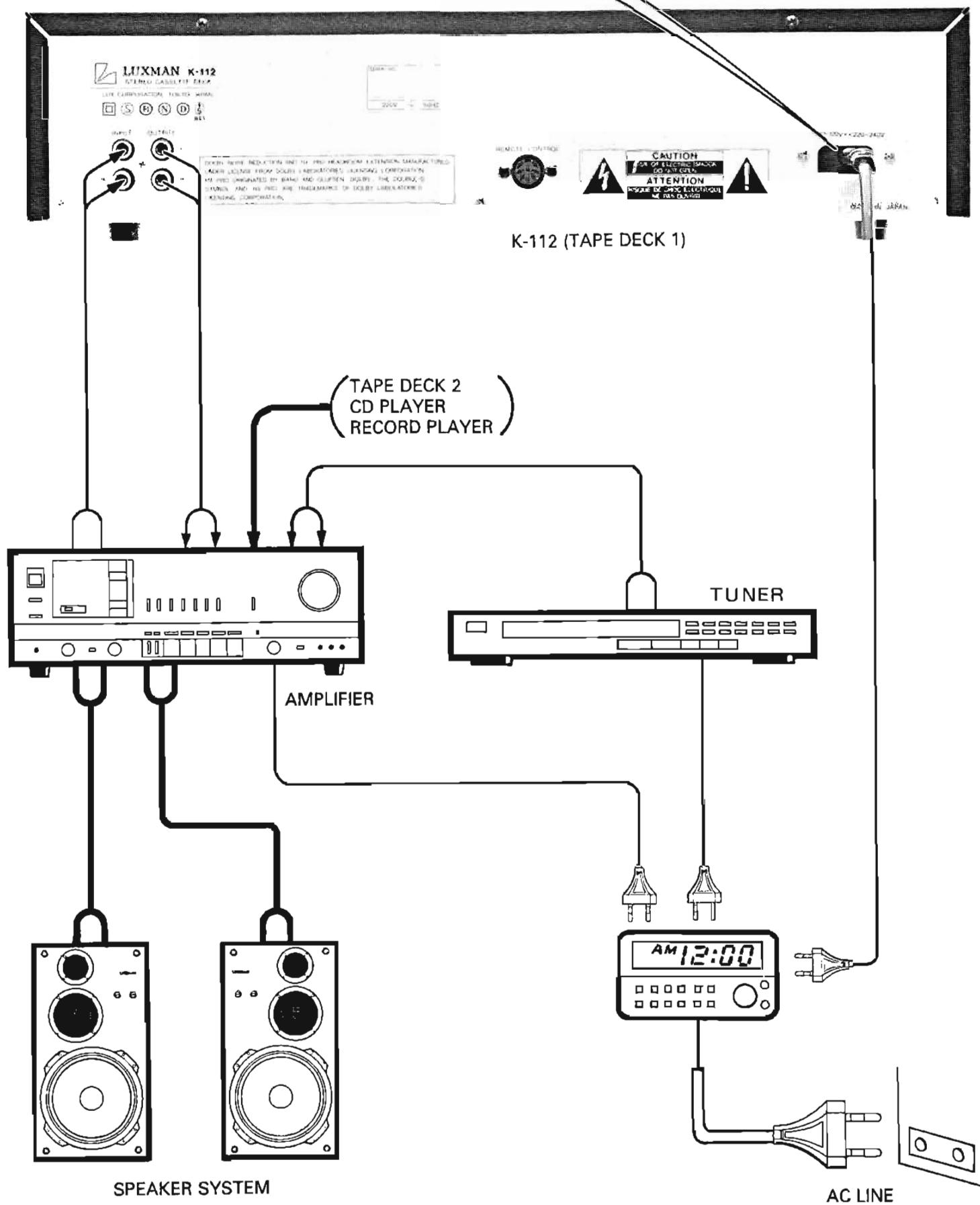
CONNECTION DIAGRAM

100V — 120V

220V — 240V



* Canadian version has the AC cord already connected to the deck. Just plug the AC cord to the AC wall outlet.



OPERATION GUIDELINES

PRIOR TO OPERATION

Check the power supply voltage of AC outlet used. Check that the voltage selector switch provided on the rear panel is set to the position matching to the power supply voltage of your AC outlet. If not, adjust the selector switch to the correct position, using a (—) screw driver.

First connect one end of the AC cord to the AC power jack of the rear panel, then plug in the another end into the AC outlet.

PLAYBACK

● Confirm that **TIMER Switch** is set to **OFF** position.

1. Turn on the K-112.
2. Load a prerecorded cassette tape with the open end down and the side you want to play facing you in the cassette compartment. Gently push the cassette holder and close the cassette compartment.
3. Push **COUNTER RESET** Button to reset the tape counter to "0000".
4. Set **DOLBY NR Select Switch** to the correct position when playing back a tape recorded with Dolby NR B or C system. Set the **TAPE SELECTOR Switch** to the correct position depending on the type of tape to be played.
5. Press in **MONITOR Selector Button** to the **TAPE** position. **TAPE MONITOR** indicator lights up.
6. Push **PLAY (▶)** Button. The **PLAY MODE** indicator lights up.
7. For normal playback, set the **OUTPUT** control on the deck to the **MAXimum** position and adjust the volume level to your desired level by the volume control on the amplifier.

NOTE: Since the **PEAK LEVEL METERS** indicate the recorded level in the playback tape, **OUTPUT Level Control** has no effect on the meter deflections.

- When you wish to locate later the particular portion of the tape, use **COUNTER MEMORY** Button. Press **REW** Button to rewind the tape rapidly. Press **FF** Button to rapidly advance the tape.
8. To stop playing back, merely push **STOP** Button. When the tape comes to an end, the mechanism automatically stops.
 - To stop the tape running temporarily, push **PAUSE** Button.
 - To take out the cassette tape, push **EJECT** Button after pushing **STOP** Button.
 - If you desire to play the program on the reverse side, reload the cassette tape with its opposite side facing toward you and push **PLAY** Button again.

TIMER PLAYBACK

1. Turn the deck off.
2. Load a prerecorded tape into the cassette compartment.
3. Set **DOLBY NR Select Button** and **TAPE SELECTOR Switch** to the correct positions.
4. Put **MONITOR Select Button** in the **TAPE** position.
5. Set **TIMER Switch** to the **PLAY** position.
6. Set the AC timer to the desired start time. Connect the power cord of the deck and your audio amplifier to the AC timer outlets.

NOTE: Confirm the controls of your audio amplifier are set to your desired sound.

7. Set **POWER** Button of the deck in the **ON** position. Make sure that the power switch on your audio amplifier is also set in the **ON** position.

RECORDING

Recording Level Settings

A recording level has a great influence over the quality of reproduced sound. If a tape is recorded with the **PEAK Level Meter** deflected over a proper level, a reproduced sound may be distorted. While a tape is recorded with the **Meter** deflected too low, the reproduced sound may also be distorted due to poor **S/N** ratio. Therefore, setting the recording level is very important to make a good recording. Adjust the **REC. LEVEL** Control so that the maximum deflection is set nearby 0 dB.

Recording from Stereo Amplifier/Receiver.

- Confirm that **TIMER Switch** is set to **OFF** position.
1. Turn on the K-112.
 2. Load a blank cassette tape in the cassette compartment.
 3. Set **TAPE SELECTOR** switch in the correct position.
 4. Push **COUNTER RESET** Button to set "0000".
 5. Push **PAUSE** and **RECORD** Buttons simultaneously.
 6. Adjust **RECORDING LEVEL** Control as explained previously.
 7. Rotate **BIAS FINE** control to get good matching with the type of tape being used.
 8. Set **DOLBY NR Select Switch** to **B** or **C** position when making a recording with **DOLBY NR** system. Set **DOLBY NR Select Switch** to **OFF** position when not using **DOLBY NR** system.
 9. Finally push **PLAY** Switch to start recording.

OPERATION GUIDELINES

10. To monitor the recording result, push in MONITOR Select Button to TAPE position, and you can check the sound just recorded with the "PEAK" Indicators.

- Adjust the monitor level with OUTPUT Level Control.
- Push PAUSE Button to stop the tape motion momentarily without using STOP Button. To start the tape motion again, push PLAY Button.
- Keep to push RECO rd MUTE Button to create unrecorded blank space on the tape.

11. To stop recording, push STOP Button. When the tape comes to an end, the mechanism automatically stops and releases RECO rd and PLAY switches.

TIMER RECORDING

The procedures for the TIMER RECORDING are same as the TIMER PLAYBACK except the TIMER Switch should be set to the RECO rd position instead of the PLAY position.

CARE & MAINTENANCE

CONSTANT HIGH TEMPERATURE LOCATIONS

Do not operate this unit near heating appliances, on top of an amplifier, or in direct sunlight. Temperature extremes will ultimately not only cause degradation of sound quality, but will also shorten the useful operating life of the unit. Avoid high temperatures.

EXTREMELY LOW TEMPERATURES

In such locations, lubricants will harden and satisfactory operation cannot be expected. Operation will be sluggish and an overload may be placed on the drive motor. Avoid low temperatures.

HIGH HUMIDITY LOCATIONS

Will shorten equipment life from corrosion and possible fungus growth on printed circuit boards.

DUSTY ENVIRONMENTS

Your K-112 is a precision machine and as such should be protected from dust. Operation in a dusty atmosphere will result in excessive tape head wear. Your tapes should also be kept dust free.

HEAD CLEANING AND DEMAGNETIZATION

Residue built up from the constant contact of tape to capstan and head is unavoidable. The tape heads and capstan should be cleaned about once two weeks or after every 20 hours of operation. If a loss of brilliance in high frequency response is noticed, the tape heads probably require cleaning.

A cotton swab moistened with head-cleaning fluids should be inserted into the cassette slot, and rubbed across the surface of the heads and capstan. Care should be taken not to scratch the head surface. As an alternative, a special head cleaning cassette is available at most dealers.

Notes:

1. Do not apply too much force during cleaning.
2. Be careful not to damage the tape guides and the tape pad lifter.
3. When using cotton-tipped sticks for cleaning, make sure not to leave any cotton strands on the cleaned parts.

CABINET CLEANING

Wipe the cabinet with a soft cloth. Avoid using chemical fluids such as benzene and thinner because it may result in damage to the finish.

SPECIFICATIONS

System	4 Tracks, 2 Channels, 2 Motors
Heads	Record/Playback head: Hexalam w/OFC Coil Erase head: Double Gap Ferrite Erase head
Tape Speed	4.76 cm/sec.
Wow & Flutter (WRMS)	0.05%
Signal-to-Noise Ratio (3% Distortion, 400 Hz):	
Metal Tape, with Dolby*-C	72 dB
Metal Tape, with Dolby*-B	65 dB
Metal Tape, without Dolby* NR	56 dB
Frequency Response (-25 dB):	
Metal Tape	20 Hz — 22 kHz (20 Hz — 21 kHz, ± 3 dB)
CrO ₂ Tape	20 Hz — 21 kHz (20 Hz — 20 kHz, ± 3 dB)
Normal Tape	20 Hz — 20 kHz (20 Hz — 19 kHz, ± 3 dB)

The 3rd Harmonic Distortion (Normal tape, 400 Hz, 0 dB, 160nWb/m)	0.3%
Input Sensitivity/impedance ... Line: 90mV/47k ohms	
Output Level/impedance (+3 dB, VU)	Line: 500mV/2.0 k ohms Headphone: 1.25mW/8 ohms
Power Source	100 — 120V/220 — 240V Canadian Model: 120V
Power Consumption	22W
Dimensions	438(W) x 110(H) x 318.5(D) mm
Weight	Net: 4.3 Kgs Gross: 5.3 Kgs

Specifications and appearance design subject to change without notice.

REGLER, SCHALTER, STECKER & ANSCHLÜSSE

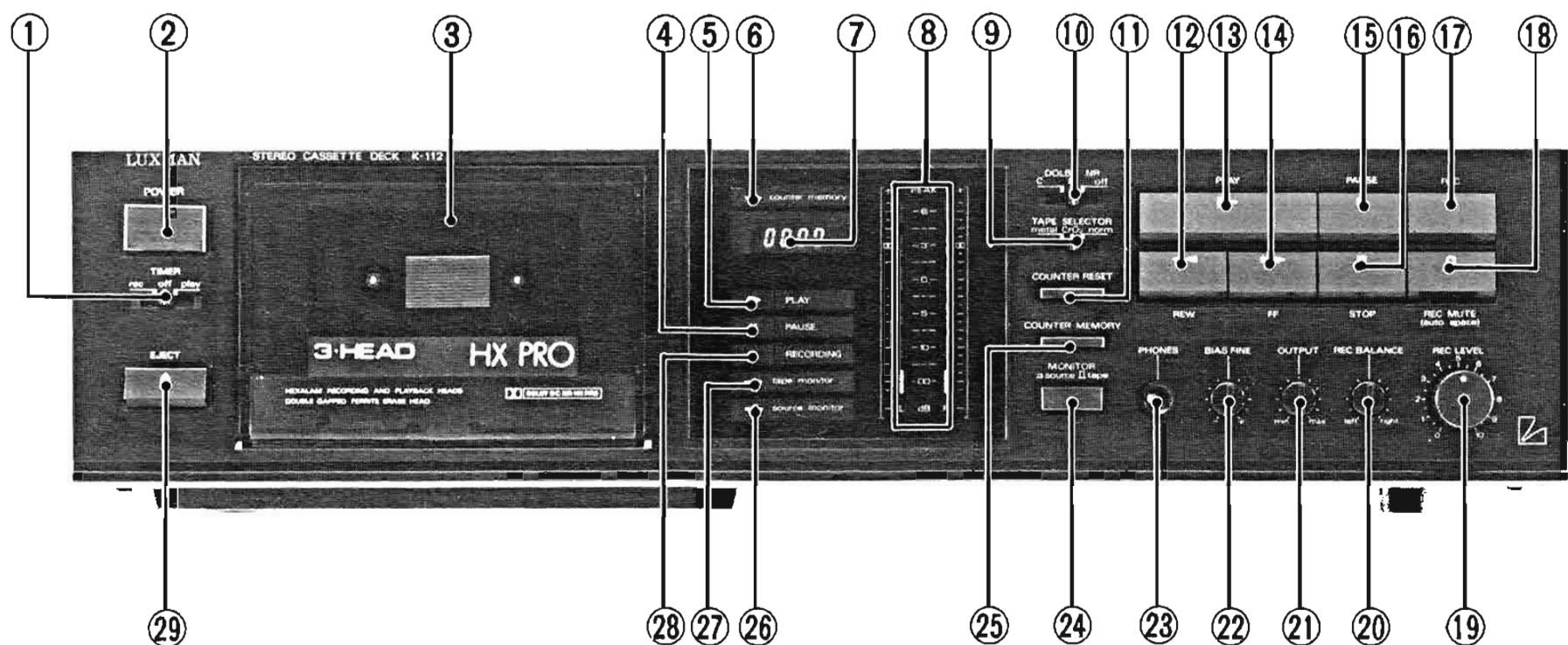


Abb. 1

FRONTPLATTE (Abb. 1)

1. TIMER-Schalter (TIMER)

Bei Verwendung eines Wechselstrom (AC) Timers zum Einschalten des Geräts diesen Schalter auf die Position Wiedergabe (PLAY) oder Aufnahme (REC) stellen. Wird der Timer nicht benutzt, diesen Schalter in die Position OFF stellen.

2. Netz-Taste (POWER)

Diese Taste zum Ein- und Ausschalten des Geräts herunterdrücken. Bei eingeschaltetem Gerät leuchtet der Bandzähler.

3. Cassettenhalter

4. Pausenanzeige

Nach Drücken der Pause-Taste (||) leuchtet die Anzeige auf, um anzuzeigen, daß das Laufwerk auf Pause geschaltet ist.

5. Wiedergabeanzeige

Nach dem Drücken der Wiedergabetaste (▶), leuchtet diese Anzeige auf, um darauf hinzuweisen, daß der Bandtransportmechanismus auf Wiedergabebetriebsart geschaltet ist.

6. Anzeige für Bandzählspeicher

Wird die Taste für den Bandzählspeicher (COUNTER MEMORY) gedrückt, so leuchtet die Anzeige für den Bandzählspeicher (COUNTER MEMORY) auf. Wird bei

eingeschalteter Anzeige für Bandzählspeicher (COUNTER MEMORY) die Rückspultaste (◀) (REW) gedrückt, geht die Anzeige im LED-Display auf "9999" zurück und die für Wiedergabe auf "0000".

7. Bandzähler

Dieser Zähler ist ein 4-stelliger LED-Display-Zähler zum Auffinden von Musikpassagen usw.

8. Höhenpegelanzeigen

Ist die Monitortaste (MONITOR) auf "SOURCE" heruntergedrückt, wird der Signalpegel Eingang am Eingangsanschluß (INPUT) an der Geräterückseite dieses Decks auf den Anzeigen sichtbar. Ist die Monitortaste (MONITOR) in der Position aus (TAPE), so wird der gerade abgespielte/aufgenommene Signalpegel sichtbar. Zur optimalen Aufnahme wird der Signaleingangspegel durch Drehen des Aufnahmepegelreglers (REC LEVEL) eingestellt.

9. Bandarten-Wahlschalter (TAPE SELECTOR)

Die korrekte Entzerrung und Vormagnetisierung bei Aufnahme und Wiedergabe für verschiedene Bandarten werden mit diesem Schalter eingestellt:

[normal]: Für Aufnahme und Wiedergabe mit Normalband. (Zeitkonstante $120\mu s$).

[CrO₂]: Für Aufnahme und Wiedergabe mit Chromdioxidbädern oder gleichwertigen Bandtypen. (Zeitkonstante $70\mu s$).

[metal]: Für den Einsatz von Metal-Tape. (Zeitkonstante $70\mu s$).

REGLER, SCHALTER, STECKER & ANSCHLÜSSE

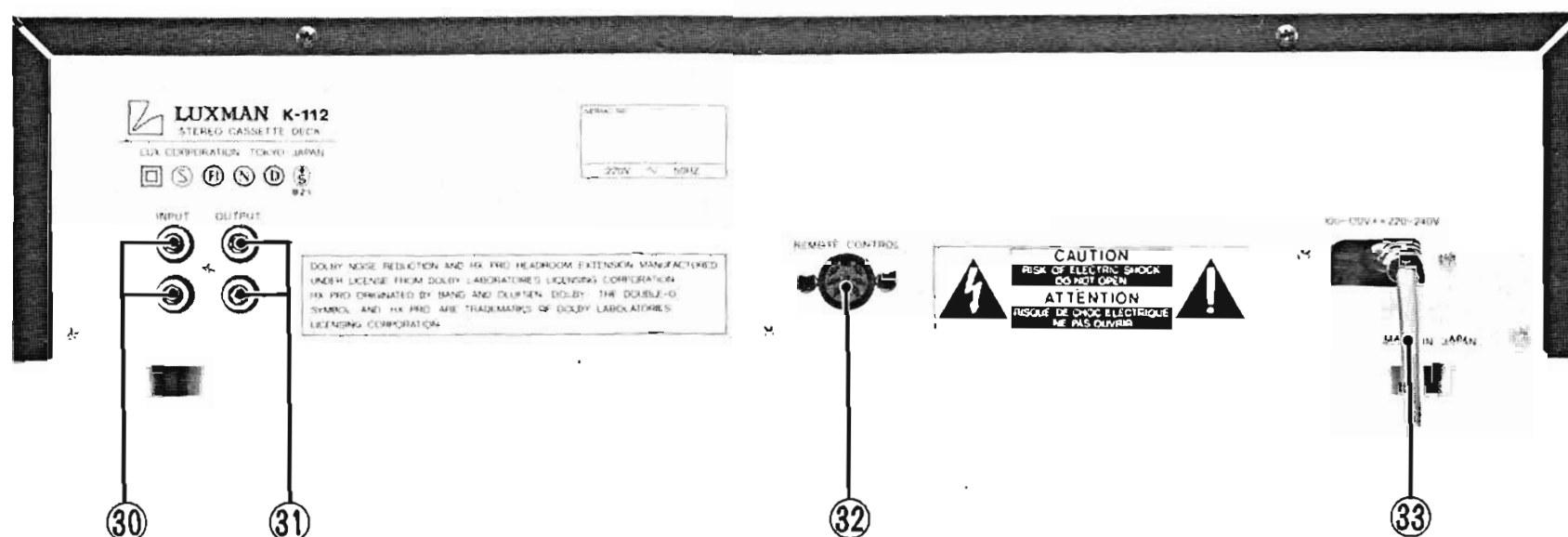


Abb. 2

10. Wahlschalter für Dolby Rauschunterdrückung (DOLBY NR)

Heutzutage sind die modernsten Dolby C-Typ Rauschunterdrückungssysteme, die im mittleren bis hohen Frequenzbereich einen hervorragenden Rauschunterdrückungseffekt haben, zusätzlich zu den konventionellen B-Typ Rauschunterdrückungssystemen in Gebrauch. Das korrekte Rauschunterdrückungssystem einstellen. Den Schalter auf OFF stellen, wenn das Dolby NR System nicht benutzt wird.

11. Zählwerk-Rückstellknopf (COUNTER RESET)

Nach dem Drücken dieses Knopfes zeigt das Bandzählwerk "0000". Diese Einrichtung wird beim Aufnahmetstart.

12. Rücklauftaste (REW ◀)

Diese Taste dient zum schnellen Umspulen des Bandes von links nach rechts Spulen. Der Bandlauf stoppt am Bandende automatisch, da der aut. Stopmechanismus das Bandende erfasst und ein Stoppsignal gibt.

13. Wiedergabetaste (PLAY ▶)

Durch Drücken dieser Taste versetzen Sie das Gerät in Wiedergabebetriebsart und die Wiedergabe beginnt.

14. Schnellvorlauftaste (FF ▶▶)

Mit dieser Taste kann das Band schnell vor der linken zur rechten Spule vorgespult werden. Der Bandlauf stoppt am Bandende automatisch, da der aut. Stopmechanismus das Bandende erfasst und ein Stoppsignal gibt.

15. Pause-Taste (PAUSE ||)

Beim Betätigen dieser Taste wird das Band vorübergehend angehalten. Die Taste ist lediglich im Aufnahme- bzw. Wiedergabebetrieb wirksam. Ein erneutes drücken der Wiedergabe-Taste setzt die Aufnahme bzw. Wiedergabe fort.

16. Stoptaste (STOP ■)

Nach Drücken dieser Taste wird der Bandtransport und die gegenwärtige Betriebsart ausgeschaltet.

17. Aufnahmetaste (REC ●)

Die Aufnahme startet unmittelbar dann, wenn Aufnahme- und Wiedergabetasten (REC und PLAY) gleichzeitig gedrückt werden.

18. Aufnahmestummtaste (REC MUTE ○)

Wird diese Taste während der Aufnahme gedrückt, entsteht auf dem Band ein unbespielter Pauseabschnitt (stumm) so lange die taste gedrückt wird. Sobald die Taste losgelassen wird, wird das Gerät in die Pausebetrieb (PAUSE) gestellt.

19. Aufnahmepegelregler (REC LEVEL)

Drehen des Reglers im Uhrzeigersinn verstärkt den Aufnahmepegel. Drehen gegen den Uhrzeigersinn schwächt den Aufnahmepegel ab.

20. Aufnahme-Balanceregler (REC BALANCE)

Mit diesen Regler die Aufnahme-Signalpegel für linken und rechten Kanal durch Ablesen der Höhenanzeigen (PEAK) ausbalancieren.

21. Ausgangspegelregler (OUTPUT)

Hiermit werden die Ausgangs-Signalpegel an den Ausgangsanschlüssen (OUTPUT) und Kopfhörerbuchse eingestellt.

22. Feinvormagnetisierungsregler (BIAS FINE)

Mit diesem Regler läßt sich die Vormagnetisierung (Bias) feineinstellen. Wenn der Regler bis zum Anschlag nach links gedreht wird, erhält man eine Verminderung um 20%, bei Drehen nach rechts eine Erhöhung um bis zu 20%. Der Regler sollte normalerweise auf mittlere Einrastung gestellt sein.

REGLER, SCHALTER, STECKER & ANSCHLÜSSE

23. Kopfhörerbuchse (PHONES)

Zum individuelle Hören oder Überwachen von Programmquellen die Kopfhörer hier anschließen.

24. Monitorwahltaste (MONITOR)

Diese Taste wird zum Wählen zwischen Programmquellen- (SOURCE) und Bandteilstücken (TAPE) benutzt. Steht die Taste in der Position SOURCE, können die Eingangssignale an den Eingangsanschlüssen (INPUT) des Decks mitgehört werden. In der Position TAPE können die gerade auf Band aufgenommenen Signale mitgehört werden.

25. Zählerspeichertaste (COUNTER MEMORY)

Siehe Abschnitt "Anzeige für Bandzählspeicher".

26. Quellenmonitoranzeige

Diese Anzeige leuchtet, wenn die Monitortaste (MONITOR) auf SOURCE heruntergedrückt wurde. Die in die Eingangsanschlüsse (INPUT) gegebenen Signale werden direkt am Ausgangsanschluß (OUTPUT) ausgegeben.

27. Bandmonitoranzeige

Diese Anzeige leuchtet auf, wenn die Monitortaste (MONITOR) auf TAPE steht. Die Wiedergabesignale des Bandes im Deck erscheinen an den Ausgangsanschlüssen (OUTPUT) an der Geräterückseite.

28. Aufnahmeanzeige

Nach gleichzeitigen Drücken der Aufnahme- (recording) (●) und Wiedergabetaste (play) leuchten diese Anzeigen auf, um darauf hinzuweisen, daß sich das Bandlaufwerk in Aufnahmebetriebsart befindet.

29. Taste für Kassettenauswurf (EJECT ▲)

Ein Druck auf diese Taste öffnet das Kassettenfach. Eine mechanische Raste sperrt diese Funktion bei Aufnahme bzw. Wiedergabe. Zuerst die STOP-Taste drücken und danach die EJECT-Taste.

RÜCKSEITE (Abb. 2)

30. Line-Anschlußbuchsen (INPUT)

Diese Buchsen mit dem Ausgang des Receivers oder Verstärkers verbinden, der als Signalquelle dient. Die max. Eingangsempfindlichkeit beträgt 100mV.

31. Ausgangsbuchsen (OUTPUT)

Die Rekorder-Ausgänge mit dem Eingang TAPE-IN oder MONITOR des Receivers verbinden. Die max. Ausgangsspannung beträgt 500mV.

32. Fernbedienungsanschluß (REMOTE CONTROL)

Hier kann das Fernsteuerungssystemzentrum (F-105 oder U-100) im Handel erhältlich angeschlossen werden.

33. Wechselstrombuchse/Spannungswähler (100 — 120 V/220 — 240 V)

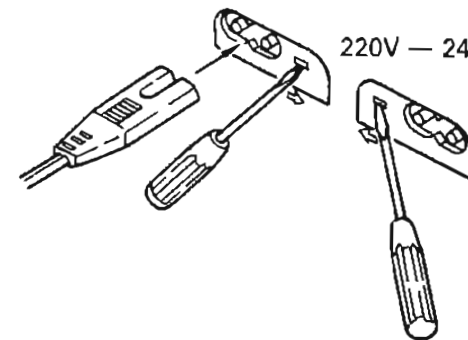
Überprüfen, daß sich der Spannungswähler in der Position befindet, die der Stromspannung entspricht, die aus der Steckdose kommt. Das eine Ende des Netzkabels (liegt bei) an die Wechselstrombuchse (AC) des Decks anschließen und dann das andere Ende in die Steckdose an der Wand stecken.

* Bei der kanadischen Version ist das Netzkabel bereits am Deck angeschlossen. Das Kabel hier nur in die Steckdose an der Wand stecken.

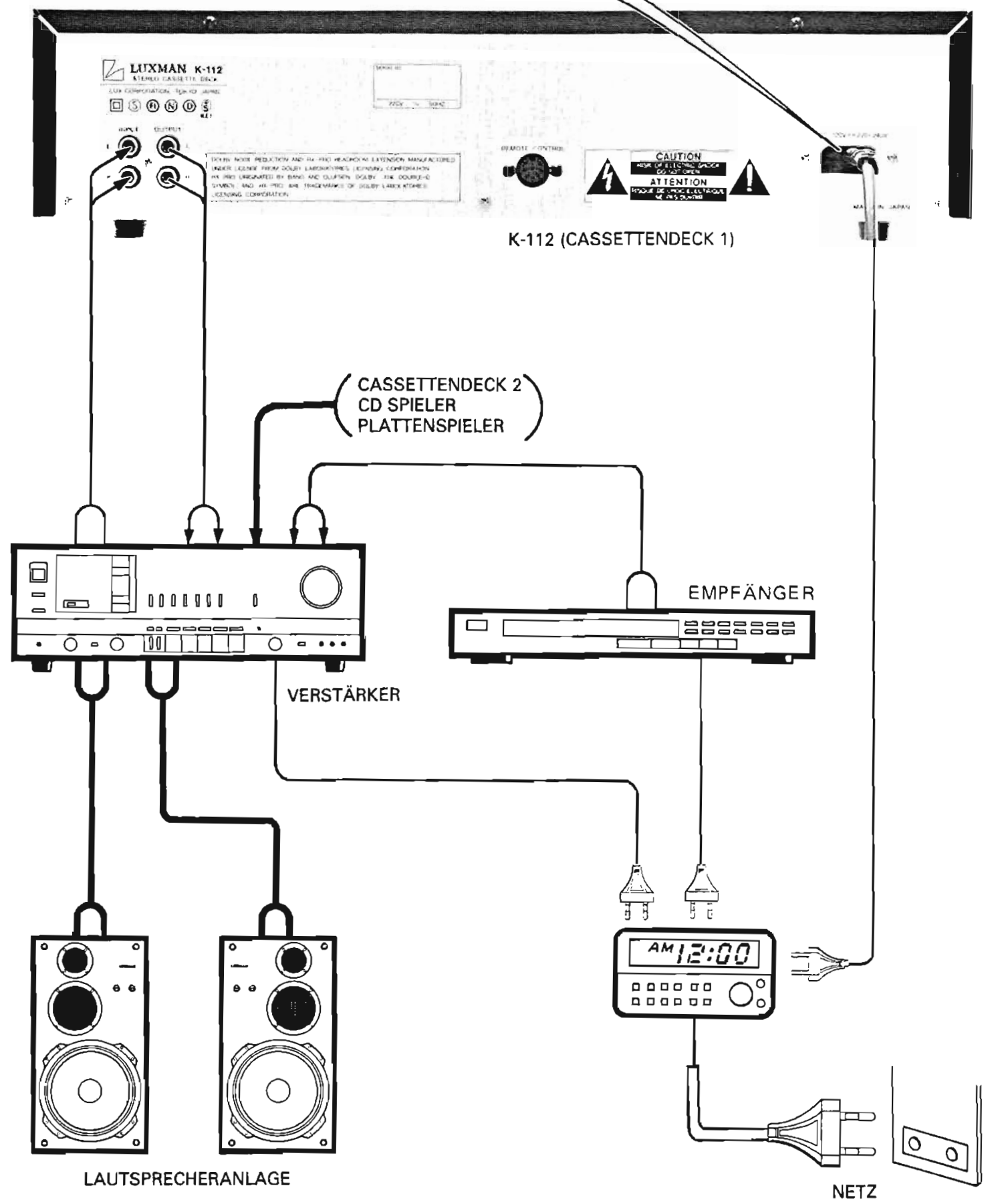
ANSCHLUSSDIAGRAMM

100V — 120V

220V — 240V



* Bei der kanadischen Version ist das Netzkabel bereits am Deck angeschlossen. Das Kabel hier nur in die Steckdose an der Wand stecken.



VORNEHMEN DER ANSCHLÜSSE

ANSCHLUß AN EINEN VERSTÄRKER

Verbinden Sie die Eingangsbuchsen Ihres K-112 mit den Aufnahmeausgängen (REC OUT) Ihres Verstärkers oder Receivers und die Ausgänge des K-112 mit den Eingängen (oft mit MONITOR bezeichnet) des Verstärkers. Verwenden Sie dazu die beigelegten Stifsteckerkabel. Während dem Anschließen müssen alle Geräte ausgeschaltet sein.

NETZANSCHLUß

Schließen Sie das Netzkabel an einer Steckdose an. Falls Ihr Verstärker eine Kaltgerätesteckdose aufweist, empfiehlt es sich den K-112 daran anzuschließen, da Sie durch Ausschalten des Verstärkers auch das Deck ausschalten können.

ANSCHLÜSSE ZU DEM FERNSTEUERUNGSSYSTEM

Der K-112 kann einen Empfänger (R-406) oder auch Fernsteuerungssystemzentrum (F-105 oder U-100 u.s.w.) angeschlossen werden. Diese können durch das mitgelieferte Fernbedienungsgerät, gesteuert werden.

Für weitere Details über Anschlüsse und Bedienung, siehe entsprechende Bedienungsanleitung.

BEDIENUNGSANLEITUNG

VOR DER INBETRIEBNAHME

Ermitteln Sie die in Ihrem Gebiet verwendete Netzspannung. Achten Sie darauf, daß sich der Spannungswähler auf der Rückseite des Geräts in der korrekten Position befindet. Falls nicht, bringen Sie den Wähler mit Hilfe eines Schlitzschraubenziehers in die Position, die der örtlichen Netzspannung entspricht.

Das Netzkabel zuerst am Steckanschluß auf der Rückwand anschließen, bevor Sie den Netzstecker in eine Steckdose einführen.

WIEDERGABE

- Überprüfen, daß sich der TIMER-Schalter in der Position OFF befindet.
- 1. Den K-112 einschalten.
- 2. Eine bespielte Cassette mit dem freiliegenden Bandstück nach oben und der Seite, die abgespielt werden soll, Ihnen zugewandt, in das Cassettenfach einlegen. Den Cassettenhalter leicht anstoßen und das Cassettenfach schließen.
- 3. Den Zähler-Rücksteller (COUNTER RESET) drücken, damit der Bandzähler auf "0000" geht.
- 4. Wird ein mit Dolby NR B- oder C-System aufgenommenes Band abgespielt, den DOLBY NR-Wahlschalter in die entsprechende Position bringen. Den Bandsortenswähler (TAPE SELECTOR) auf die Position des Bandtyps stellen, der abgespielt werden soll.
- 5. Den Monitor (MONITOR) Wahlschalter auf TAPE stellen. Die Bandmonitoranzeige (TAPE MONITOR) leuchtet auf.
- 6. Wiedergabetaste (PLAY) (▶) drücken. Die Wiedergabe-Funktionsanzeige (PLAY) leuchtet auf.
- 7. Zur normalen Wiedergabe den Ausgangsregler (OUTPUT) des Decks in die Position MAX bringen und die Lautstärke mit dem Lautstärkereglers Ihres Verstärkers wunschgemäß einstellen.

HINWEIS: Da die Höhenpegelanzeigen den im Wiedergabeband aufgenommenen Pegel anzeigen, hat die Ausgangsregelung (OUTPUT) keinen Effekt auf die Anzeigemessungen.

- Soll später auf dem Band ein bestimmter Abschnitt lokalisiert werden, so verwenden Sie den Zähler-Speicherschalter (COUNTER MEMORY). Drücken Sie die Rückspultaste, so läuft das Band schnell zurück. Zum schnellen Vorlauf drücken Sie die Schnellvorlauftaste (FF).
8. Zum Stoppen der Wiedergabe drücken Sie leicht die Stopptaste (STOP). Ist das Band bis zum Ende durchgelaufen, so stoppt der Mechanismus automatisch.
 - Zum zeitweiligen Stoppen des Bandlaufs die PAUSE-Taste drücken.
 - Zum Herausnehmen der Cassette die Auswurf-taste (EJECT) nach Druck auf die Stopptaste (STOP) drücken.
 - Soll die Bandgegenseite abgespielt werden, so drehen Sie die Cassette um und legen Sie mit der Gegenseite Ihnen zugewandt ein. Wiedergabetaste (PLAY) erneut drücken.

TIMERGESTEUERTE WIEDERGABE

1. Das Gerät ausschalten.
2. Eine bespielte Cassette in das Cassettenfach einlegen.
3. Den Bandsortenschalter (TAPE SELECTOR) auf die korrekte Position bringen.
4. Den Monitorwahlschalter (MONITOR) auf PLAY stellen.
5. Den TIMER-Schalter in die Position TAPE bringen.
6. Den Wechselstrom (AC) Timer auf die gewünschte Startzeit stellen. Das Netzkabel des Decks und das Netzkabel Ihres Audio-Verstärkers an die Ausgänge des Wechselstrom (AC) Timers anschließen.

BEDIENUNGSANLEITUNG

HINWEIS: Überprüfen Sie, daß die Regler Ihres Audio-Verstärkers auf den gewünschten Klang eingestellt sind.

7. Den Netzschalter (POWER) des Decks in die ON-Position bringen. Überzeugen Sie sich, daß auch Ihr Audio-Verstärker bzw. Vorverstärker eingeschaltet sind.

AUFNAHME

Einstellen der Aufnahmepegel

Die Aufnahmepegel beeinflussen die Wiedergabequalität maßgeblich. Falls die Aufnahme übersteuert wird (zu hohe Aufnahmepegel), resultiert ein verzerrter Klang. Zu niedrig ausgesteuerte Aufnahmepegel wiederum, haben ebenso Klangverfälschungen und Verzerrungen zur Folge, da der Fremdspannungsabstand zu niedrig ist. Daher ist das korrekte Einstellen der Aufnahmepegel für die Wiedergabequalität ausschlaggebend. Stellen Sie den Aufnahmepegelregler (REC. LEVEL) so ein, daß die Abweichung um 0 dB liegt.

Aufnahme von einem Stereo Verstärker/Empfänger.

- Überprüfen, daß der TIMER-Schalter auf OFF steht.
1. Den K-112 einschalten.
 2. Eine Leercassette ins Cassettenfach einlegen.
 3. Den Bandortenwähler (TAPE SELECTOR) in die richtige Position bringen.
 4. Den Zähler-Rückstellschalter (COUNTER RESET) auf "0000" stellen.
 5. Gleichzeitig die PAUSE-Taste und die Aufnahme-taste (REC) drücken.
 6. Die Aufnahmepegel (REC LEVEL) wie oben beschrieben einstellen.
 7. Feinvormagnetisierungsregler (BIAS FINE) drehen zur Erhaltung einer passenden Übereinstimmung mit dem verwendeten Bandtyp.

8. Soll mit dem DOLBY NR-System aufgenommen werden, den DOLBY NR-Wahlschalter auf B oder C stellen. Wird das DOLBY-System nicht verwendet, den DOLBY NR-Wahlschalter auf OFF stellen.
9. Schließlich zum Start der Aufnahme die Wiedergabetaste (PLAY) drücken.
10. Zur Überwachung des Aufnahmeergebnisses den Monitor-Wahlschalter (MONITOR) auf TAPE stellen, und man kann den gerade aufgenommenen Klang mit den Höhenanzeigen (PEAK) überprüfen.
 - Den Monitorpegel mit dem Ausgangspegelregler (OUTPUT) einstellen.
 - Soll die Bandbewegung zeitweilig unterbrochen werden, die PAUSE-Taste drücken, ohne die Stopptaste (STOP) zu betätigen. Zum Fortfahren der Bandbewegung erneut die Wiedergabetaste (PLAY) drücken.
 - Aufnahmestummtaste (REC MUTE) heruntergedrückt halten, so daß auf dem Band eine lange Leerstelle entsteht.
11. Zum Stoppen der Aufnahme die Stopptaste (STOP) drücken. Wird das Bandende bei der Aufnahme erreicht, so stoppt der Mechanismus automatisch und gibt die Aufnahme- (REC) und Wiedergabe- (PLAY) Tasten frei.

TIMERGESTEUERTE AUFNAHME

Die Prozeduren für die timergesteuerte Aufnahme (TIMER RECORDING) sind die gleichen wie die für timergesteuerte Wiedergabe (TIMER PLAYBACK), mit Ausnahme, daß der TIMER-Schalter auf REC stehen soll, statt auf PLAY.

PFLEGE & UNTERHALT

HOHE TEMPERATUR

Betreiben Sie dieses Gerät nicht in der Nähe von Heizkörpern, auf einem Verstärker oder in direktem Sonnenlicht. Extreme Temperaturen verursachen letztlich nicht nur eine Verschlechterung der Klangqualität, sondern verkürzen auch die Betriebslebensdauer des Gerätes. Vermeiden Sie hohe Temperaturen.

EXTREM NIEDRIGE TEMPERATUR

An solchen Plätzen werden die Schmiermittel dickflüssig, und ein zufriedenstellender Betrieb kann nicht erwartet werden. Außerdem könnten die Motore überlastet werden. Vermeiden Sie tiefe Temperaturen.

HOHE FEUCHTIGKEIT

Die Lebensdauer des Gerätes wird wegen Korrosion und möglichen Pilzbewuchses der gedruckten Schaltungen verkürzt.

STAUB

Ihr K-112 ist ein Präzisionsgerät und sollte daher vor Staub geschützt werden. Betrieb in einer staubigen Umgebung verursacht übermäßige Abnutzung der Tonköpfe. Ihre Bänder sollten ebenso staubfrei gehalten werden.

REINIGEN DER TONKÖPFE

Durch den ständigen Kontakt zwischen Band, Kapstan und Tonkopf sind Ablagerungen unvermeidlich. Daher sollten Kapstan und Tonköpfe einmal im 2 Woche oder nach 20 Betriebsstunden gereinigt werden. Falls sich bei den hohen Frequenzen ein Helligkeitsverlust bemerkbar macht, müssen wahrscheinlich die Köpfe gereinigt werden.

Dazu führen Sie einen mit Kopfreiniger angefeuchteten Wattebausch in das Cassettenfach ein und zwischen die Oberfläche der Köpfe und des Capstan ab. Dabei sollten Sie jedoch vorsichtig vorgehen, um die Köpfe nicht zu verkratzen. Als Alternative können auch Reinigungscassetten verwendet werden, die von den meisten Händlern angeboten werden.

Hinweise:

1. Beim Reinigen nicht zu viel Kraft ausüben.
2. Dabei nicht Bandführungen und den Andruckfilzhebel beschädigen.
3. Bei der Verwendung von Watte oder Wattestiften darauf achten, daß keine Wattefäden an den gereinigten Teilen hängenbleiben.

GEHÄUSEREINIGUNG

Das Gehäuse mit einem weichen Tuch abwischen. Niemals chemische Lösungsmittel wie Benzin oder Verdünner benutzen, da diese die Gehäuseoberfläche angreifen.

TECHNISCHE DATEN

System 4-spur, 2-Kanal, 2 Motoren
Köpfe Aufnahmekopf/Wiedergabekopf:
Hexalam w/OFC Spule
Löschkopf: Doppelspaltiger Ferrit
Bandgeschwindigkeit 4,76 cm/sek.
Gleichlaufschwankung (WRMS) 0,05%
Fremdspannungsabstand (400 Hz, 3% Klirrfaktor)
Reineisenband mit Dolby*-C 72 dB
Reineisenband mit Dolby*-B 65 dB
Reineisenband ohne Dolby* NR 56 dB
Frequenzgang (—25 dB):
Reineisenband 20 Hz — 22 kHz
(20 Hz — 21 kHz, ± 3 dB)
CrO₂-Band 20 Hz — 21 kHz
(20 Hz — 20 kHz, ± 3 dB)
Normalband 20 Hz — 20 kHz
(20 Hz — 19 kHz ± 3 dB)

Klirrfaktor 3. Ordnung (Normalband,
400 Hz, 0 dB, 160nWb/m) 0,3%
Eingangsempfindlichkeit/Impedanz Line: 90mV/
47kOhm
Ausgangspegel/Impedanz (+3 dB, VU) Line:
500mV/2,0kOhm
Kopfhörer: 1,25mW/8 Ohm
Stromversorgung 100 — 120V/220 — 240V
Kanadischen Version: 120V
Leistungsaufnahme 22W
Abmessungen 438(B) x 110(H) x 318,5(T) mm
Gewicht Netto: 4,3 Kg
Brutto: 5,3 Kg

Änderungen ohne Vorankündigungen an Technik oder Design vorbehalten.

COMMANDES, COMMUTATEURS, PRISES ET BORNES

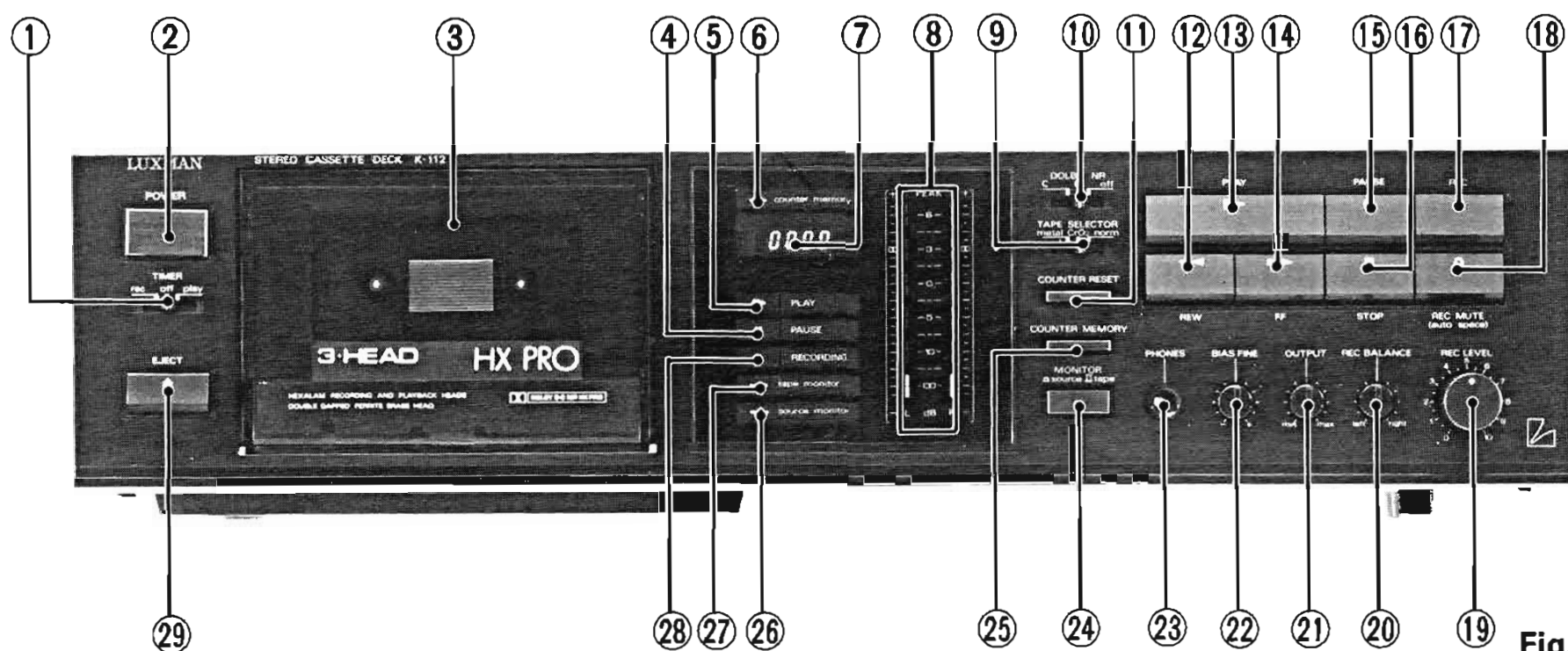


Fig. 1

PANNEAU AVANT (Fig. 1)

1. Commutateur de la minuterie (TIMER)

Placez ce commutateur sur la position PLAY (reproduction) ou REC (enregistrement) lorsque vous voulez mettre l'appareil sous tension à l'aide de la minuterie CA. Placez le commutateur sur la position OFF (hors circuit) lorsque vous n'utilisez pas la minuterie.

2. Touche d'alimentation (POWER)

Appuyez sur la touche pour mettre l'appareil sous tension ou hors circuit. Lorsque l'appareil est sous tension, le voyant du compteur de bande s'allume.

3. Porte-cassette

4. Témoin de mode de pause

Lorsque la touche de PAUSE (||) est enfoncée, ce témoin indique que le mécanisme de défilement de la bande est dans le mode de PAUSE.

5. Témoin de mode de reproduction (PLAY)

Lorsque la touche de reproduction (►) est enfoncée, ce témoin indique que le mécanisme de défilement de la bande est dans le mode de PLAY.

6. Indicateur de la mémoire du compteur de bande

Lorsque la touche COUNTER MEMORY est enfoncée, l'indicateur correspondant s'allume. Si la touche REW (Rewind: rembobinage) (◀◀) est enfoncée tandis que l'indicateur COUNTER MEMORY est allumé, l'affichage à diodes LED repasse à "9999" et la reproduction reprend au compte "0000".

7. Compteur de bande

Ce compteur utilise un affichage LED à 4 chiffres fort utile lorsque vous désirez localiser le début d'un passage musical, etc..

8. Mètres de niveau de crête

Lorsque la touche MONITOR (contrôle) est enfoncée en position "SOURCE", l'entrée en signaux parvenant aux bornes d'entrée INPUT situées sur la panneau arrière de la platine sera affichée sur les mètres de niveau. Quand la touche MONITOR est relevée en position TAPE (bande), le niveau de signaux de la bande en cours de reproduction ou d'enregistrement sera alors affiché. Réglez le niveau d'entrée des signaux en faisant tourner la commande de niveau d'enregistrement REC LEVEL pour obtenir un enregistrement parfait.

9. Sélecteur de bande (TAPE SELECTOR)

Ce commutateur permet de régler l'égalisation et le courant de polarisation à la fois en fonction de la cassette utilisée.

[normal]: Pour enregistrement et reproduction sur des cassettes normales. (Le temps constant d'égalisation est de $120\mu\text{sec}$.)

[CrO₂]: Pour enregistrement et reproduction sur des cassettes CrO₂. Le temps constant d'égalisation est de $70\mu\text{sec}$.)

[metal]: Pour utilisation avec des cassettes au fer pur. (Le temps constant d'égalisation est de $70\mu\text{sec}$.)

10. Sélecteur de réduction de bruit Dolby (DOLBY NR)

Le tout dernier système de réduction de bruit Dolby, type C, qui procure des résultats excellents dans la gamme moyenne-haute fréquence, est aujourd'hui utilisé parallèlement au système traditionnel Dolby de type B. Placez le commutateur sur la position souhaitée. Placez-le sur la position OFF (hors circuit) lorsque le système de réduction de bruit Dolby n'est pas utilisé.

COMMANDES, COMMUTATEURS, PRISES ET BORNES

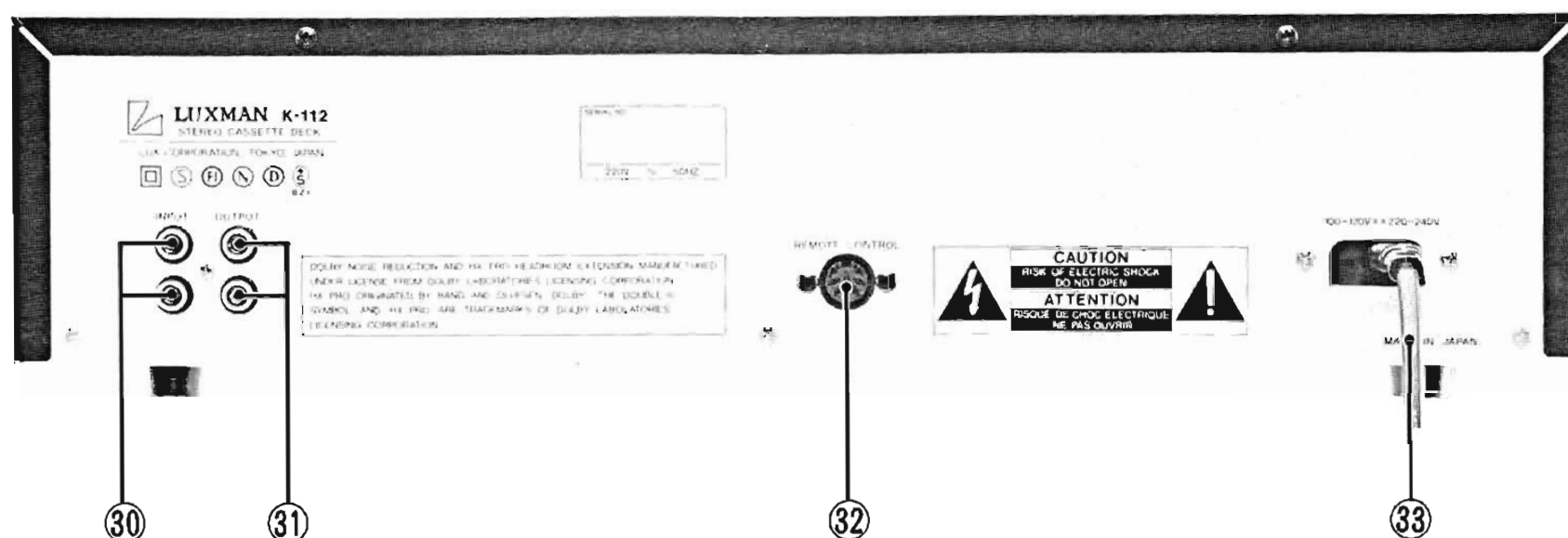


Fig. 2

11. Remise à zéro du compteur (COUNTER RESET)

Lorsque ce bouton est enfoncé, le compteur indique "0000". Ceci est très utile en début d'enregistrement.

12. Touche de rembobinage (◀ REW)

Cette touche est destinée à rembobiner rapidement la bande della bobine de droite à celle de gauche. Le défilement s'arrête automatiquement lorsque l'extrémité de la bande est atteinte car le mécanisme d'arrêt automatique est activé en extrémité de bande.

13. Reproduction (▶ Play)

Lorsque ce commutateur est pressé, le magnétocassette est en mode de reproduction. En fin de bande le défilement s'arrête automatiquement.

14. Touche d'avance rapide (▶▶ FF)

Cette touche est destinée à faire avancer rapidement la bande de la bobine de gauche à celle de droite. Le défilement s'arrête automatiquement lorsque l'extrémité de la bande est atteinte car le mécanisme d'arrêt automatique est activé en extrémité de bande.

15. Pause (|| PAUSE)

Lorsque ce bouton est enfoncé, le défilement est arrêté temporairement, aussi bien durant la reproduction que durant l'enregistrement. La reproduction et l'enregistrement reprendront si vous appuyez sur la touche PLAY.

16. Arrêt (■ STOP)

Presser ce bouton, et la cassette ne tourne plus.

17. Touche d'enregistrement (● REC)

L'enregistrement commence dès que les touches d'enregistrement (REC) et de reproduction (PLAY) sont enfoncées simultanément.

18. Touche de mise en sourdine de l'enregistrement (● REC MUTE)

Lorsque cette touche est enfoncée au cours de l'enregistrement, une portion vierge (sourde) sera créée sur la bande pendant que vous maintenez la touche enfoncée, et si vous la libérez la bande entrera dans le mode de PAUSE.

19. Commande de niveau d'enregistrement (REC LEVEL)

Faites tourner cette commande dans le sens des aiguilles d'une montre pour augmenter le niveau d'enregistrement et dans le sens contraire pour diminuer ce niveau.

20. Commande de la balance d'enregistrement (REC BALANCE)

Réglez cette commande permettant d'équilibrer les niveaux des signaux d'enregistrement entre les canaux gauche et droit en lisant les mètres de niveau PEAK.

21. Commande du niveau de sortie (OUTPUT)

Cette commande permet de régler les niveaux des signaux de sortie aux bornes de sortie OUTPUT situées sur le panneau arrière.

22. Réglage fin de polarisation (BIAS FINE)

Cette commande permet de faire varier faiblement la polarisation. Lorsque la commande est entièrement tournée dans le sens des aiguilles d'une montre, la polarisation est diminuée de 20%. Lorsque la commande est entièrement tournée dans le sens des aiguilles d'une montre, la polarisation est augmentée de 20%. Placez cette commande en position centrale (à cran) pour une utilisation normale.

COMMANDES, COMMUTATEURS, PRISES ET BORNES

23. Prise de casque (PHONES)

Branchez-y le cordon de votre casque pour une écoute privée ou pour contrôler la source de programme (monitoring).

24. Sélecteur de contrôle (MONITOR).

A l'aide de cette touche de sélection, choisissez la position SOURCE ou la position TAPE (bande). Lorsque la touche se trouve sur la position SOURCE, vous pouvez contrôler les signaux d'entrée aux bornes d'entrée INPUT de la platine. Lorsque la touche est sur la position TAPE, vous pouvez contrôler les signaux enregistrés sur la bande en cours d'enregistrement.

25. Touche de mémoire de compteur (COUNTER MEMORY)

Voir la section "Indicateur de la mémoire du compteur de bande (COUNTER MEMORY)".

26. Indicateur du contrôle de source

Ce voyant s'allume lorsque la position SOURCE est choisie à l'aide de la touche MONITOR (touche enfoncée). Les signaux parvenant aux bornes d'entrée INPUT ressortent directement aux bornes de sortie OUTPUT.

27. Indicateur de contrôle de bande

Ce voyant s'allume lorsque la position TAPE (bande) est choisie à l'aide de la touche MONITOR. Les signaux de reproduction de la bande contenue par la platine apparaissent aux bornes de sortie OUTPUT situées sur le panneau arrière.

28. Indicateur d'enregistrement

Cet indicateur s'allume lorsque les touches d'enregistrement (●) et de lecture sont toutes les deux enfoncées. Il indique que le mécanisme de transport de la bande est dans le mode d'enregistrement.

29. Bouton d'éjection (▲ EJECT)

Ce poussoir vous permet d'ouvrir la porte pour entrer ou sortir une cassette. Notez que le système d'ouverture est verrouillé lorsqu'une fonction mécanique est enclenchée, ainsi le bouton d'éjection ne fonctionnera pas pendant l'enregistrement et la reproduction. Pressez le bouton d'arrêt, puis le bouton d'éjection.

PANNEAU ARRIERE (Fig. 2)

30. Entrées de ligne (INPUT)

Relier ces entrées à l'amplificateur ou au tuner utilisé comme source d'enregistrement. La sensibilité d'entrée est de 100mV

31. Sorties (OUTPUT)

Relier ces sorties aux bornes d'entrées (ex. bornes de contrôle) de l'amplificateur utilisé pour la reproduction. La tension de sortie est de 500mV.

32. Douille de la télécommande (REMOTE CONTROL)

Le centre de télécommande du système (F-105 ou U-100) en option peut être branchée à cette douille.

33. Prise d'alimentation CA/Sélecteur de tension (100 — 120V/220 — 240V)

Vérifiez que le sélecteur de tension est bien placé sur la position correspondant à la tension de la prise murale CA. Branchez une extrémité du cordon secteur (fourni avec la platine) à cette prise d'alimentation CA sur la platine et l'autre extrémité à la prise murale CA.

* La version canadienne de la platine comporte un cordon secteur déjà branché à la platine. Il vous suffit de brancher l'extrémité de ce cordon à la prise murale CA.

DIRECTIVES DE BRANCHEMENT

RACCORDEMENT A UN AMPLIFICATEUR AUDIO

Raccorder les bornes d'entrée de ligne aux bornes de sortie de l'enregistrement "REC. OUT" de l'unité (amplificateur ou receveur), et les bornes de sortie "Output" aux bornes de contrôle "monitor" de l'amplificateur audio en utilisant le cordon à prise à broches fourni. Pendant cette procédure, s'assurer que l'alimentation est coupée.

RACCORDEMENT A L'ALIMENTATION

Raccorder la prise située à l'extrémité du cordon d'alimentation à la source d'alimentation de la pièce. Lorsque votre amplificateur audio dispose d'un raccordement secteur CA additionnel (SWITCHED), il

est recommandé de l'utiliser puisque la marche/arrêt "ON/OFF" du commutateur de l'amplificateur est couplée à celle du magnétocassette.

BRANCHEMENT A UN SYSTEME DE TELECOMMANDE

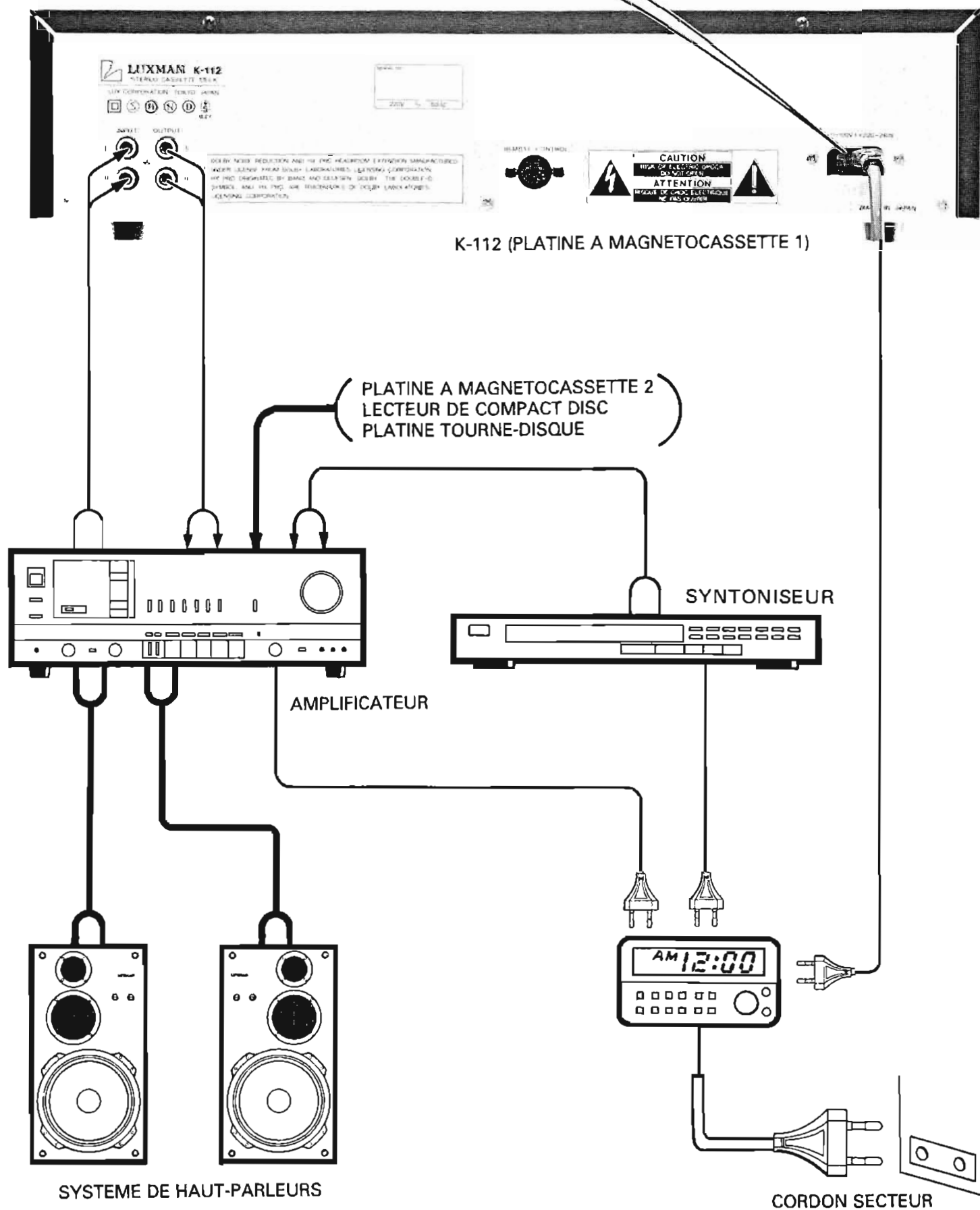
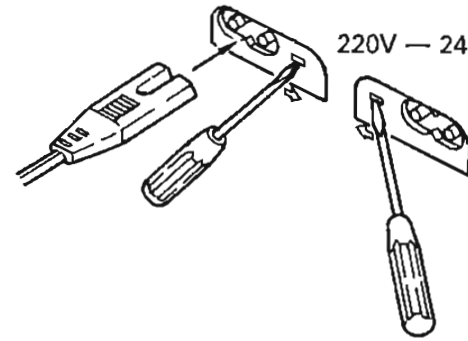
Le K-112 peut être branché au receveur (R-406) ou au centre de télécommande du système (F-105 ou U-100, etc.), et peut être ainsi commandé à l'aide du boîtier de télécommande sans fil fourni avec ces appareils. Pour plus amples détails concernant les branchements et utilisations, reportez-vous au manuel de l'utilisateur joint aux appareils.

DIAGRAMME DE BRANCHEMENT

* La version canadienne de la platine comporte un cordon secteur déjà branché à la platine. Il vous suffit de brancher l'extrémité de ce cordon à la prise murale CA.

100V — 120V

220V — 240V



DIRECTIVES D'EXPLOITATION

AVANT LE FONCTIONNEMENT

Vérifier la tension de la prise secteur "CA". Vérifier que le sélecteur de tension placé sur le panneau arrière est placé sur la position correspondant à l'alimentation fournie par le secteur. Dans le cas contraire, régler le commutateur de sélection, au moyen d'un tournevis plat (—).

Raccorder en premier lieu une extrémité du cordon secteur à la prise secteur "CA" du panneau arrière, puis insérer l'autre extrémité du cordon dans la prise de secteur.

REPRODUCTION

● Vérifiez que le commutateur de la minuterie (TIMER) est bien placé en position OFF (hors circuit).

1. Mettez le K-112 sous tension.
2. Introduisez dans le compartiment à cassettes une cassette préenregistrée, son ouverture tournée vers le bas et le côté à écouter vous faisant face. Poussez légèrement le porte-cassette et refermez le compartiment.
3. Appuyez sur le commutateur de remise à zéro (COUNTER RESET) pour replacer sur "0000" le compteur de bande.
4. Placez le commutateur sélecteur de réduction de bruit DOLBY NR sur la position adéquate lorsque vous écoutez une bande enregistrée sur système Dolby NR B ou C. Placez le sélecteur de bande TAPE SELECTOR sur la position adéquate selon le type de la bande reproduite.
5. Enfoncez le sélecteur MONITOR en position TAPE (bande). Le voyant lumineux TAPE MONITOR (contrôle de bande) s'allume.
6. Appuyez sur la touche PLAY (▶) (reproduction). Le voyant de mode PLAY s'allume.
7. Pour une reproduction normale, placez la commande OUTPUT (sortie) de la platine sur la position MAXimum et réglez le niveau du volume selon vos préférences à l'aide de la commande de volume de l'amplificateur.

REMARQUE: Puisque les mètres de niveau de crête indiquent le niveau enregistré sur la bande reproduite, la commande du niveau de sortie OUTPUT n'influe pas sur les déviations des mètres.

- Lorsque vous désirez localiser une portion donnée de la bande, servez-vous du commutateur COUNTER MEMORY. Appuyez sur la touche REW (rembobinage) pour rembobiner rapidement la bande. Appuyez sur la touche FF (avance rapide) pour faire avancer rapidement la bande.
8. Pour arrêter la reproduction, appuyez simplement sur la touche d'arrêt STOP. Lorsque la bande a touché à sa fin, le mécanisme de défilement s'arrête automatiquement.
- Pour arrêter la bande provisoirement, appuyez sur la touche de PAUSE.

- Pour retirer la cassette de la platine, appuyez sur la touche d'éjection (EJECT) après avoir appuyé sur la touche d'arrêt STOP.
- Si vous désirez reproduire le contenu de la face opposée, rechargez la cassette en la retournant et appuyez à nouveau sur la touche de reproduction (PLAY).

REPRODUCTION PAR MINUTERIE

1. Mettez la platine sous tension.
2. Chargez une cassette pré-enregistrée dans le compartiment à cassettes.
3. Placez le commutateur sélecteur DOLBY NR et le sélecteur de bande TAPE SELECTOR sur les positions adéquates.
4. Placez le commutateur sélecteur de contrôle (MONITOR) sur la position TAPE (bande).
5. Placez le commutateur de la minuterie (TIMER) sur la position PLAY (reproduction).
6. Réglez la minuterie CA sur l'heure de reproduction souhaitée. Connectez le cordon secteur de la platine et de l'amplificateur audio aux prises de la minuterie CA.

REMARQUE: Vérifiez que les commandes de votre amplificateur audio sont réglées pour obtenir un son selon vos préférences.

7. Placez le commutateur d'alimentation (POWER) de la platine sur la position ON (sous tension). Vérifiez que le commutateur d'alimentation de votre amplificateur audio est également placé sur cette position.

ENREGISTREMENT

Réglages du niveau d'enregistrement

Le niveau d'enregistrement a une grande influence sur la qualité de reproduction du son. Si une bande est enregistrée avec le compteur de niveau de crête dépassant le niveau, un son peut être reproduit avec distorsion. Une bande enregistrée avec le compteur trop bas peut aussi produire une distorsion du son en raison d'un rapport signal/bruit trop faible. Il est donc très important de régler le niveau d'enregistrement pour obtenir une bonne qualité d'enregistrement. Régler les commandes Recording Level de telle façon que la déviation maximale soit de 0 dB.

Enregistrement à partir de l'amplificateur/récepteur stéréo

- Vérifiez que le commutateur de la minuterie (TIMER) est bien placé sur la position OFF (hors circuit).
1. Mettez le K-112 sous tension.
 2. Chargez une cassette vierge dans le compartiment à cassettes.
 3. Placez le commutateur TAPE SELECTOR (sélecteur de bande) sur la position adéquate.

DIRECTIVES D'EXPLOITATION

4. Appuyez sur le commutateur de remise à zéro COUNTER RESET pour faire revenir le compteur à "0000".
5. Appuyez simultanément sur les commutateurs de PAUSE et d'enregistrement (REC).
6. Réglez la commande de niveau d'enregistrement (REC LEVEL) en suivant les instructions données.
7. Faites tourner la commande de polarisation fine BIAS FINE pour correspondre au type de bande utilisée.
8. Placez le commutateur sélecteur de réduction de bruit DOLBY NR sur la position B ou C lorsque l'enregistrement s'effectue sous système DOLBY NR. Placez le commutateur sélecteur DOLBY NR sur la position OFF (hors circuit) si vous n'utilisez pas le système DOLBY NR.
9. Enfin, appuyez sur la touche de reproduction (PLAY) pour commencer l'enregistrement.
10. Pour contrôler les résultats de l'enregistrement, enfoncez le commutateur sélecteur MONITOR en position TAPE (bande), et vous pourrez vérifier le son tout juste enregistré à l'aide des indicateurs de crête PEAK.
 - Réglez le niveau de contrôle à l'aide de la commande de niveau OUTPUT.
 - Appuyez sur la touche de PAUSE pour arrêter provisoirement le défilement de la bande sans avoir à utiliser la touche d'arrêt (STOP). Pour faire défiler la bande à nouveau, appuyez sur la touche de reproduction (PLAY).
 - Appuyez sur la touche de mise en sourdine (REC MUTE) pour créer un espace vierge sur la bande.
11. Pour faire cesser l'enregistrement, appuyez sur la touche d'arrêt (STOP). Lorsque la bande est finie, le mécanisme s'arrête automatiquement et libère les touches d'enregistrement (REC) et de reproduction (PLAY).

ENREGISTREMENT PAR MINUTERIE

La procédure à suivre pour l'ENREGISTREMENT PAR MINUTERIE est semblable à celle de la REPRODUCTION PAR MINUTERIE, la seule différence étant que le commutateur TIMER devra être placé sur la position REC (enregistrement) au lieu de PLAY (reproduction).

SOIN ET ENTRETIEN

TEMPERATURES EXCESSIVEMENT HAUTES

Eviter de placer le K-112 à la proximité immédiate d'un appareil de chauffage, au-dessus d'un amplificateur, ou exposé aux rayons directs du soleil. Une température trop élevée peut entraîner non seulement une perte du niveau de performance, mais aussi une diminution de la durée de service de la K-112. Donc, éviter les endroits où la température ambiante est très élevée.

TEMPERATURES EXCESSIVEMENT BASSES

Une température trop basse peut provoquer un durcissement des lubrifiants de manière à empêcher les mécanismes de fonctionner correctement; ce qui en résulte est une surcharge du moteur d'entraînement. Donc, éviter les endroits où la température est très basse.

FORTES HUMIDITES

Des conditions d'humidité extrêmes peuvent engendrer le développement de moisissures sur le circuit imprimé, ce qui, en provoquant une corrosion, contribuera à raccourcir la durée de vie de l'appareil.

AIR POUSSIEREUX

Le K-112 étant un appareil de haute précision, il doit être mis à l'abri de la poussière. Son emploi dans un endroit soumis à la poussière entraînera une usure

prématurée des têtes audio. Les bandes également doivent être protégées contre la poussière.

NETTOYAGE DES TÊTES ET DEMAGNETISATION

Les déchets accumulés du fait du contact constant de la bande avec le cabestan et la tête ne peuvent être évités. Les têtes de bandes et le cabestan doivent être nettoyés toutes les deux semaines environ ou après 20 heures d'utilisation. Si l'on s'aperçoit d'une perte de brillance de la réponse à haute fréquence, il est probable que les têtes ont besoin d'être nettoyées. Une tige de coton hydrophile humidifiée avec un liquide de nettoyage de têtes doit être insérée dans la fente de cassette, et frottée sur la surface des têtes et du cabestan. Prendre soin de ne pas rayer la surface des têtes. Une solution alternative est une cassette spéciale de nettoyage des têtes disponible chez la plupart des revendeurs.

Notes:

1. Ne pas froter trop fort pendant le nettoyage.
2. Prendre soin de ne pas endommager les guides de la bande.
3. Dans le cas d'utilisation de batonnets couverts de coton (coton-tiges), s'assurer qu'aucun bout de coton ne reste sur les pièces nettoyées.

NETTOYAGE DU BOITIER

Essayez le boîtier avec un chiffon doux. Eviter d'utiliser des liquides chimiques tels que benzine ou diluant qui risqueraient d'endommager la finition.

CARACTERISTIQUES TECHNIQUES

Système..... 4 pistes, 2 canaux, 2 moteurs
Têtes enregistrement/lecture: Hexalam
avec bobine OFC
Tête d'effacement: Ferrite à double espace
Vitesse de rembobinage de la bande .. 4,76 cm/sec.
Pleurage et scintillement (WRMS) 0,05%
Rapport signal/bruit (distorsion 3%, 400 Hz):
Fer pur, avec Dolby*-C..... 72 dB
Fer pur, avec Dolby*-B..... 65 dB
Fer pur, sans Dolby* NR 56 dB
Réponse en fréquence (—25 dB):
Bande Métal..... 20 Hz à 22 kHz
(20 Hz à 21 kHz, ± 3 dB)
Bande CrO₂..... 20 Hz à 21 kHz
(20 Hz à 20 kHz, ± 3 dB)
Bande normale..... 20 Hz à 20 kHz
(20 Hz à 19 kHz, ± 3 dB)
Distorsion harmonique de tierce (Bande normale,
400 Hz, 0 dB, 160nWb/m) 0.3%

Sensibilité en entrée/impédance Ligne:
90mV/47k ohms
Niveau de sortie/impédance..... +3 dB VU:
Ligne: 500mV/2.0k ohms
Niveau de sortie des écouteurs: 1.25mW/8 ohms
Alimentation 100 — 120V/220 — 240V
Version canadienne: 120V
Consommation..... 22W
Dimensions 438(L) x 110(H) x 318.5(P) mm
Poids..... Net: 4,3 kg
Brut: 5,3 kg

Les caractéristiques et la conception esthétique sont susceptibles de modifications sans préavis.

CONTROLES, INTERRUPTORES, TOMAS Y TERMINALES

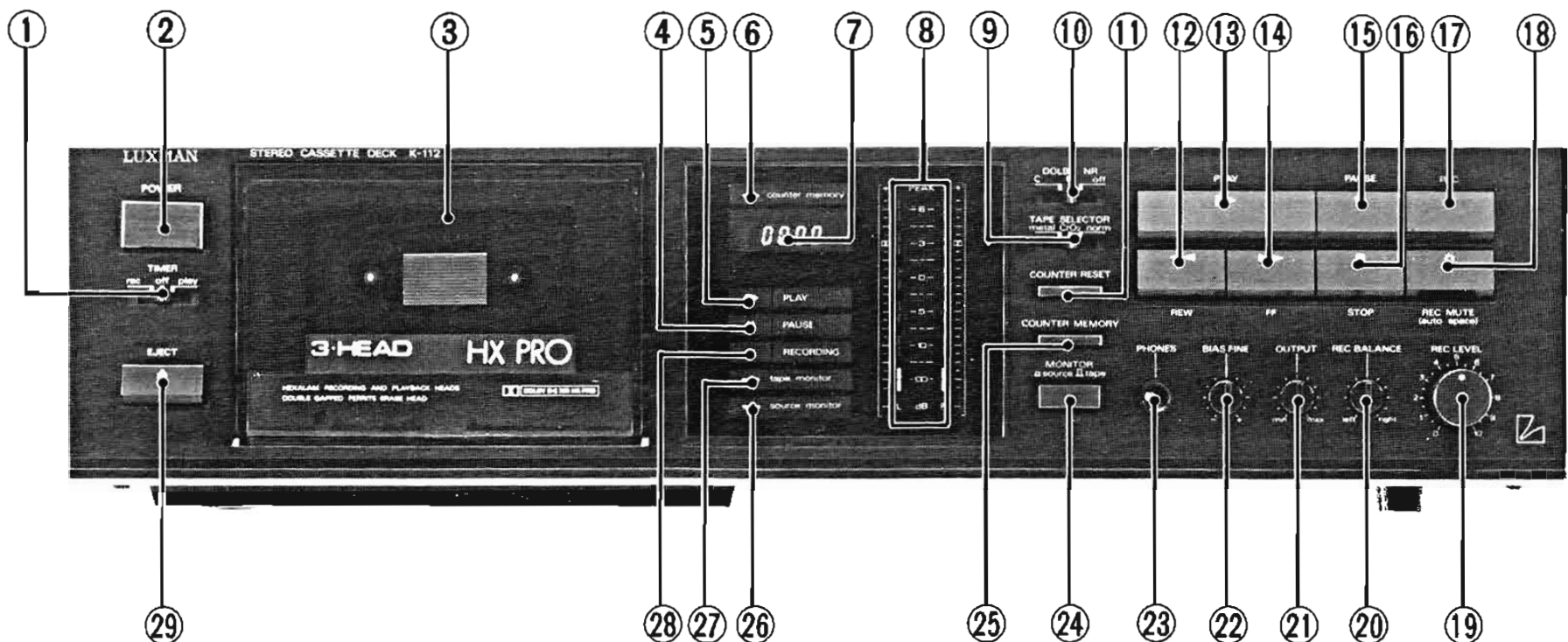


Fig. 1

PANEL DELANTERO (Fig. 1)

1. Interruptor de temporizador (TIMER)

Ponga este interruptor en las posiciones PLAY (reproducción) o RECORD (grabación) cuando utilice un temporizador de CA para encender la unidad. Mantenga el interruptor en la posición OFF cuando no use el temporizador.

2. Botón de alimentación (POWER)

Presione este botón para encender o apagar la unidad. Cuando la unidad sea encendida, el contador de cinta se iluminará.

3. Portacassettes

4. Indicador LED de modo de pausa

Al presionar el botón de pausa (||), este indicador se enciende para recordarle que el mecanismo de transporte de cinta está en el modo de pausa.

5. Indicador de modo de reproducción

Al presionar el botón de reproducción (▶), este indicador se enciende para recordarle que el mecanismo de transporte de cinta está en el modo de reproducción.

6. Indicador de memoria de contador

Al presionar el botón de memoria de contador (COUNTER MEMORY), el indicador de memoria de contador (COUNTER MEMORY) se iluminará. Si el botón de rebobinado (REW ◀) es presionado mientras el indicador de memoria de contador (COUNTER

MEMORY) se encuentra iluminado, la indicación del display volverá a "9999" y la reproducción será reanudada en "0000".

7. Contador de cinta

Este contador es un indicador de 4 dígitos que es útil para localizar el principio de un pasaje musical, etc.

8. Medidores de nivel instantáneo máximo

Al poner el botón de monitoreo (MONITOR) en la posición "SOURCE", el nivel de entrada de la señal en los terminales de entrada (INPUT) del panel trasero de este magnetofón, será mostrado por los medidores. Cuando el botón de monitoreo (MONITOR) se encuentre en la posición de salida (TAPE), el nivel de la señal de la cinta que esté siendo reproducida o grabada será indicado por los medidores. Para una grabación óptima, ajuste el nivel de la señal de entrada girando el control de nivel de grabación (REC LEVEL).

9. Conmutador selector de cinta (TAPE SELECTOR)

Para elegir la compensación y polaridad adecuadas durante grabación y reproducción, correspondiente a distintas clases de cinta.

[normal]: Para grabar y reproducir cinta normal. (El tiempo constante de ecualización es $120\mu\text{seg.}$)

[CrO₂]: Para grabar y reproducir en cinta CrO₂. El tiempo constante de ecualización es $70\mu\text{seg.}$)

[metal]: Para utilizar cintas de partículas metálicas. El tiempo constante de ecualización es $70\mu\text{seg.}$)

CONTROLES, INTERRUPTORES, TOMAS Y TERMINALES

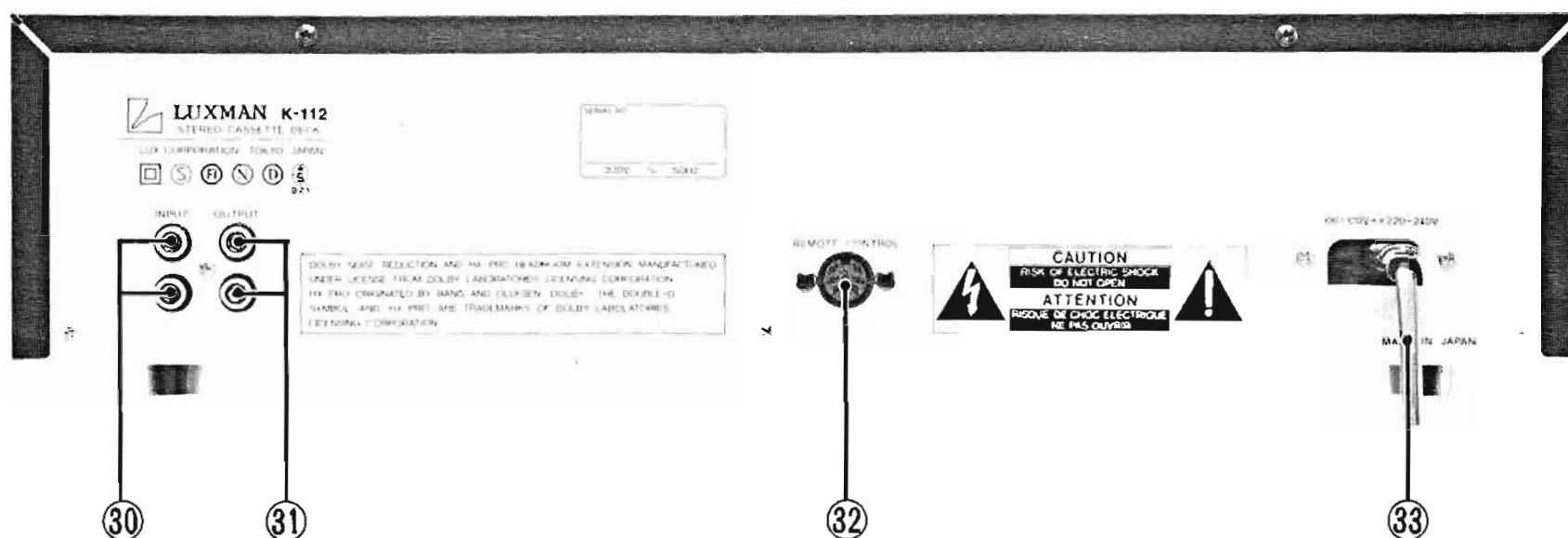


Fig. 2

10. Interruptor selector de Dolby NR (DOLBY NR)

Junto al sistema NR tipo B convencional se ha empleado el más actual sistema Dolby NR tipo C, que proporciona un excelente efecto de reducción de ruido en el intervalo de las frecuencias medias y altas. Mantenga el interruptor en la posición OFF cuando el sistema Dolby NR no esté siendo usado.

11. Botón para reposición del contador (COUNTER RESET)

Al pulsar este botón, el contador de cinta indicará (0000). Resulta útil al iniciar la grabación.

12. Botón de rebobinado (◀ REW)

Este botón es para bobinar rápidamente la cinta de la bobina derecha a la bobina izquierda. Al final de la cinta se activa el sistema de parada automática deteniendo el movimiento.

13. Botón de reproducción (▶ PLAY)

Al presionar este botón, situaremos la platina en el modo de "Play" (Reproducción), y la lectura de la cinta grabada es posible.

14. Botón de avance rápido (▶▶ FF)

Este botón permite bobinar rápidamente la cinta de la bobina izquierda a la bobina derecha. Al final de la cinta se activa el sistema de parada automática, deteniendo el movimiento.

15. Botón de pausa (⏸ PAUSE)

Al pulsar este botón, el mecanismo de transporte o arrastre de la cinta deja de funcionar transitoriamente durante la grabación o reproducción. Al pulsar el botón de reproducción nuevamente, la platina reanuda la grabación o reproducción.

16. Botón de parada (■ STOP)

Al presionar este botón, el mecanismo de transporte o arrastre de la cinta deja de funcionar.

17. Botón de grabación (● REC)

La grabación comenzará cuando los botones "REC" y "PLAY" sean presionados simultáneamente.

18. Botón silenciador de la grabación (● REC MUTE)

Al presionar este botón durante la grabación, usted podrá crear un espacio en blanco (en silencio) en la cinta mientras mantenga el botón presionado, y la banda pasa al modo de pausa cuando el botón es liberado.

19. Control del nivel de grabación (REC LEVEL)

Gire este control en el sentido de las agujas del reloj para aumentar el nivel de grabación, y gírelo en el sentido contrario para disminuir el nivel de grabación.

20. Control de balance de grabación (REC BALANCE)

Ajuste este control para balancear los niveles de señal de grabación entre los canales derecho e izquierdo. Para ello siga las indicaciones de los medidores de nivel instantáneo máximo (PEAK).

21. Control del nivel de salida (OUTPUT)

Este control es para regular los niveles de la señal de salida en los terminales de salida (OUTPUT) y en la toma para auriculares.

22. Control de polarización fina (BIAS FINE)

Este control es para ajustar sutilmente la polarización. Cuando el control es girado completamente hacia la izquierda, la polarización disminuye en un 20%. Cuando el control es girado completamente hacia la derecha, la polarización aumentará en un 20%. Ponga este control en su posición central para un uso normal.

CONTROLES, INTERRUPTORES, TOMAS Y TERMINALES

23. Toma para auriculares (PHONES)

Conecte los auriculares a esta toma para escuchar privadamente o para monitorear la fuente de señales.

24. Botón selector de monitoreo (MONITOR)

Use este botón para seleccionar entre las posiciones SOURCE (fuente) o TAPE (cinta). Cuando el botón sea puesto en la posición SOURCE, usted podrá monitorear las señales de entrada en los terminales de entrada (INPUT) del magnetofón. Cuando el botón sea puesto en la posición TAPE, usted podrá monitorear las señales de la cinta que esté siendo grabada.

25. Botón de memoria de contador (COUNTER MEMORY)

Refiérase a la sección de "Indicador de memoria de contador (COUNTER MEMORY)".

26. Indicador de monitoreo de fuente

Este indicador se iluminará cuando la posición SOURCE sea seleccionada mediante el botón selector de monitoreo (MONITOR). Las señales que llegan a los terminales de entrada (INPUT) son directamente enviadas a los terminales de salida (OUTPUT).

27. Indicador de monitoreo de cinta

Este indicador se iluminará cuando la posición TAPE sea seleccionada mediante el botón de monitoreo (MONITOR). Las señales de reproducción de la cinta que se encuentre en el magnetofón aparecerán en los terminales de salida (OUTPUT) del panel trasero.

28. Indicador de grabación

Se ilumina al presionar los botones de grabación (●) y reproducción simultáneamente, indicando que el mecanismo de transporte de cinta está en el modo de grabación.

29. Botón de expulsión (▲ EJECT)

Pulsaremos este botón para abrir la tapa del alojamiento del cassette. Para introducir o sacar el cassette de la cinta, hay que accionar este botón. Note que el sistema de apertura se trava durante las operaciones de grabación y reproducción.

PANEL TRASERO (Fig. 2)

30. Enchufes de jack para entrada de línea (INPUT)

Utilizaremos estos enchufes de jack para conectar la salida del sintonizador o amplificador que suministra el programa que vamos a grabar. La sensibilidad de entrada es de 100mV.

31. Enchufes de jack de salida (OUTPUT)

Conectaremos estos enchufes de jack con los terminales monitor (de vigilancia) del amplificador de audio durante la reproducción. La tensión de salida es igual a 500mV.

32. Toma para control remoto (REMOTE CONTROL)

El centro de control remoto del sistema (F-105 o U-100) opcional podrá ser conectado a esta toma.

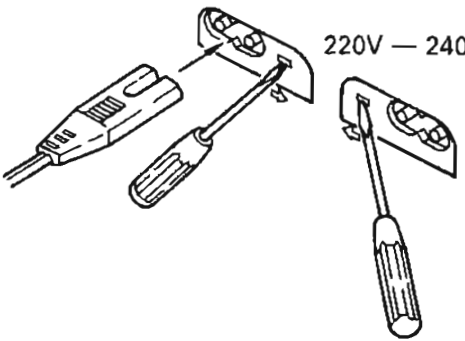
33. Toma de alimentación de CA/Selector de voltaje (100 — 120 V/220 — 240 V)

Asegúrese de que el selector se encuentre en la posición que corresponda al voltaje del tomacorriente de CA de la pared. Conecte un extremo del cable de CA (proporcionado con el magnetofón) a la toma de alimentación de CA del magnetofón, y el otro extremo a un tomacorriente de CA doméstico.

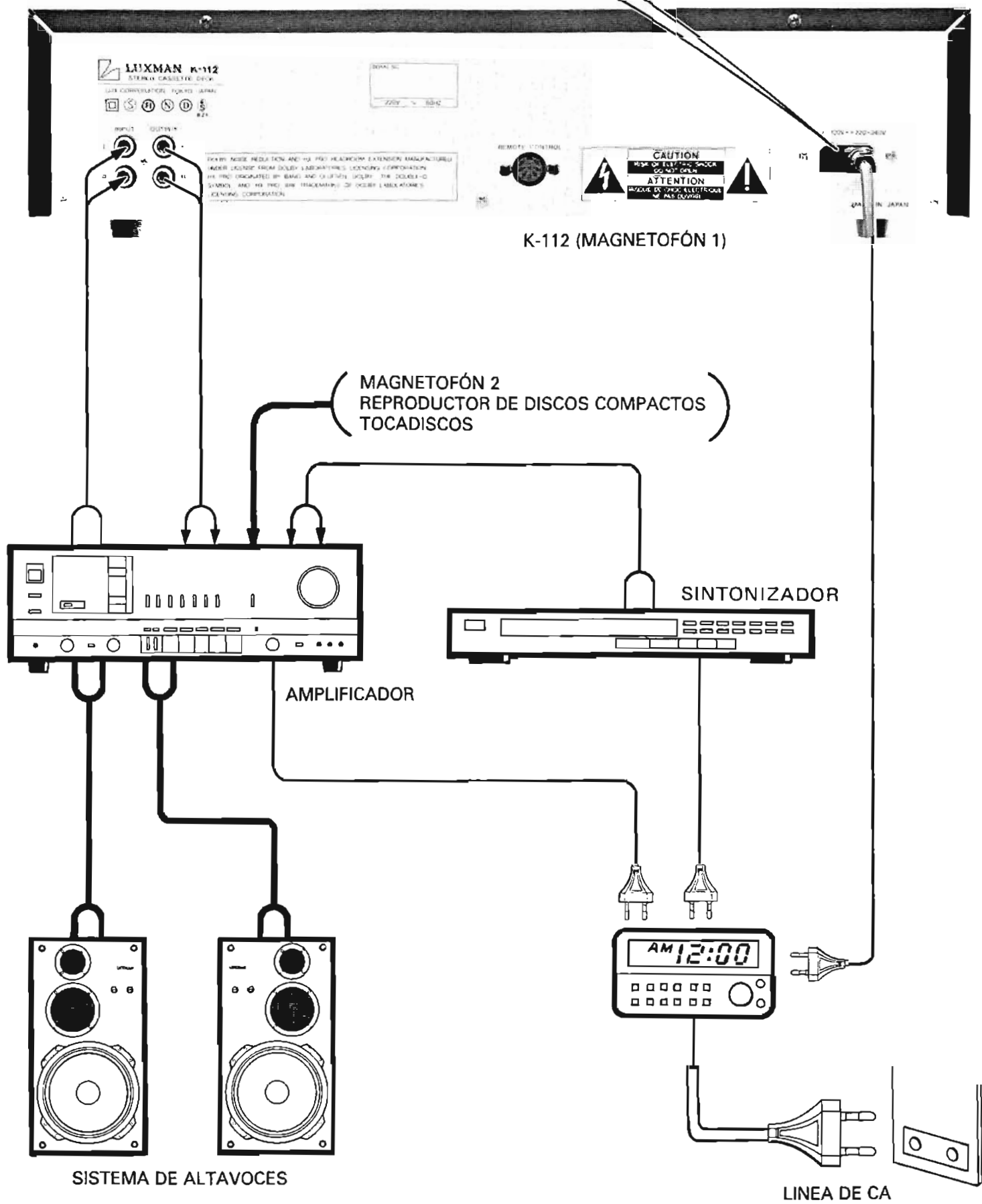
* La versión canadiense viene provista de un cable de CA ya conectado al magnetofón. Simplemente enchufe el cable de CA en un tomacorriente de CA.

DIAGRAMA DE LAS CONEXIONES

100V — 120V
220V — 240V



* La versión canadiense viene provista de un cable de CA ya conectado al magnetofón. Simplemente enchufe el cable de CA en un tomacorriente de CA.



GUÍA DE LAS CONEXIONES

CONEXIÓN AL AMPLIFICADOR DE AUDIO

Conecte los terminales de entrada INPUT a los terminales de salida de grabación REC OUT de su unidad (Amplificador, receptor u otra), y los terminales de salida OUTPUT a los terminales del monitor de su amplificador audio, utilizando los cordones afichados provistos. Asegúrese de mantener apagado el interruptor de alimentación POWER mientras hace las conexiones.

CONEXIÓN A LA FUENTE DE ALIMENTACIÓN

Enchufe la ficha del extremo del cordón de alimentación a un tomacorriente del cuarto donde instale el aparato. Si su amplificador de audio dispone de una

toma de CA extra (SWITCHED), haga uso de ella, porque de esta manera la operación del interruptor de alimentación ON/OFF del amplificador, actuará también sobre el magnetofón.

CONEXIÓN A UN SISTEMA DE CONTROL REMOTO

El K-112 podrá ser conectado a un receptor (R-406) o al centro de control remoto del sistema (F-105 o U-100, etc.), y ser operado mediante la unidad inalámbrica de control remoto proporcionada con estos equipos.

Para mayores detalles en cuanto a conexiones y operaciones, refiérase al manual de instrucciones de cada equipo.

GUÍA DE LA OPERACIÓN

ANTES DE LA OPERACIÓN

Cerciórese de cual es el voltaje que obtiene de la fuente de alimentación de CA utilizada. Ceriéndose de que el interruptor del selector de voltaje provisto en el panel trasero esté puesto en la posición que corresponda al voltaje obtenido en la fuente de alimentación. Si no correspondiera, colóquelo en la posición correcta utilizando un destornillador plano (—).

Conecte primero uno de los extremos del cordón de corriente alterna a la toma de CA del panel trasero y luego enchufe la ficha del otro extremo en el tomacorriente.

REPRODUCCIÓN

● Asegúrese de que el interruptor de temporizador (TIMER) se encuentre en la posición OFF.

1. Encienda el K-112.
2. Inserte en el compartimiento del cassette un cassette pregrabado con el extremo abierto hacia abajo, y con el lado que desea reproducir de cara hacia usted. Empuje cuidadosamente el portacassettes y cierre el compartimiento del cassette.
3. Presione el interruptor de reposición del contador (COUNTER RESET) para poner el contador de cinta en "0000".
4. Ponga el interruptor selector de DOLBY NR en posición correcta al reproducir una cinta grabada con el sistema Dolby NR B o Dolby NR C. Ponga el interruptor selector de cinta (TAPE SELECTOR) en la posición correspondiente al tipo de cinta que se vaya a reproducir.
5. Ponga el interruptor selector de monitoreo (MONITOR) en la posición TAPE. El indicador de monitoreo de cinta (TAPE MONITOR) se iluminará.
6. Presione el interruptor de modo de reproducción (PLAY ▶). El indicador de reproducción se iluminará.

7. Para reproducción normal, ponga el control de salida (OUTPUT) del magnetofón en la posición MAX (máximo), y regule el nivel de volumen al nivel deseado usando el control de volumen de su amplificador.

Nota: Puesto que los medidores de nivel instantáneo máximo (PEAK) indican el nivel grabado de la cinta que se está reproduciendo, el control de salida (OUTPUT) no tendrá ningún efecto sobre las indicaciones de los medidores.

- Cuando más tarde desee localizar una porción específica de la cinta, use el interruptor de memoria de contador (COUNTER MEMORY). Presione el interruptor de rebobinado (REW) para rebobinar la cinta rápidamente. Presione el interruptor de avance rápido (FF) para que la cinta avance rápidamente.
8. Para detener la reproducción, simplemente presione el interruptor de parada (STOP). Cuando se llegue al final de la cinta, el mecanismo se detendrá automáticamente.
 - Para detener la cinta temporalmente, presione el interruptor de pausa (PAUSE).
 - Para extraer el cassette, presione el botón de expulsión (EJECT) después de haber presionado el interruptor de parada (STOP).
 - Si usted desea reproducir el otro lado del cassette, reinserte el cassette con el lado opuesto de cara hacia usted, y presione nuevamente el interruptor de reproducción (PLAY).

GUÍA DE LA OPERACIÓN

REPRODUCCIÓN MEDIANTE TEMPORIZADOR

1. Apague el magnetofón.
2. Inserte un cassette pregrabado en el compartimiento del cassette.
3. Ponga el interruptor selector de DOLBY NR y el interruptor selector de cinta (TAPE SELECTOR) en las posiciones correctas.
4. Ponga el interruptor selector de monitoreo (MONITOR) en la posición TAPE (cinta).
5. Ponga el interruptor de temporizador (TIMER) en la posición PLAY (reproducción).
6. Ajuste el temporizador de CA a la hora de comienzo deseada. Conecte el cable de alimentación del magnetofón y el cable de alimentación de su amplificador audio a ser usado conjuntamente con el magnetofón, a las tomas de temporizador a CA.
Nota: Asegúrese de haber regulado los controles de su amplificador audio al nivel de sonido deseado.
7. Ponga el interruptor de alimentación (POWER) del magnetofón en la posición ON. Asegúrese también de que el interruptor de alimentación de su amplificador audio haya sido puesto en la posición ON.

GRABACIÓN

AJUSTES DEL NIVEL DE GRABACION

El nivel de grabación tiene una gran influencia sobre la calidad del sonido reproducido. Si una cinta es grabada con el medidor de nivel pico estando por encima del nivel apropiado, el sonido reproducido puede aparecer distorsionado. Una cinta grabada estando el medidor por debajo del nivel correspondiente, también puede aparecer con distorsiones debidas a una relación sonido/ruido demasiado baja. Es por eso que es tan importante ajustar correctamente el nivel de grabación.

Ajuste los controles del nivel de grabación de forma que la máxima deflexión sea de 0 dB.

Para grabar desde un amplificador/sintonizador stereo

- Asegúrese de que el interruptor de temporizador (TIMER) se encuentre en la posición OFF.
1. Encienda el K-112.
 2. Inserte un cassette virgen en el compartimiento del cassette.
 3. Ponga el interruptor selector de cinta (TAPE SELECTOR) en la posición correcta.

4. Presione el interruptor de reposición del contador (COUNTER RESET) para poner el contador de cinta en "0000".
5. Presione los interruptores de pausa (PAUSE) y grabación (REC) simultáneamente.
6. Ajuste el control de nivel de grabación (REC LEVEL) de la manera explicada anteriormente.
7. Gire el control de polarización fina (BIAS FINE) a fin de que corresponda al tipo de cinta que se esté usando.
8. Ponga el interruptor selector de DOLBY NR en las posiciones B o C cuando vaya a realizar una grabación con el sistema DOLBY NR. Mantenga este interruptor selector en la posición OFF cuando no se esté usando el sistema DOLBY NR.
9. Finalmente presione el interruptor de reproducción (PLAY) para comenzar con la grabación.
10. Para monitorear la grabación, ponga el interruptor selector de monitoreo (MONITOR) en la posición TAPE (cinta). De este modo usted podrá controlar el sonido que esté siendo grabado mediante las indicaciones de los medidores de nivel máximo instantáneo (PEAK).
 - Regule el nivel de monitoreo mediante el control de salida de nivel (OUTPUT LEVEL).
 - Presione el interruptor de pausa (PAUSE) para detener temporalmente la marcha de la cinta sin tener que presionar el interruptor de parada (STOP). Para poner la cinta en marcha nuevamente, presione el interruptor de reproducción (PLAY).
 - Mantenga presionado el interruptor silenciador de grabación (REC MUTE) para crear un espacio en silencio en la cinta.
11. Para detener la grabación, presione el interruptor de parada (STOP). Cuando se llegue al final de la cinta, el mecanismo se detendrá automáticamente y los interruptores de grabación (REC) y reproducción (PLAY) serán liberados.

GRABACIÓN MEDIANTE TEMPORIZADOR

Los procedimientos para grabar mediante temporizador son iguales a los de la sección REPRODUCCIÓN MEDIANTE TEMPORIZADOR, exceptuando la posición del interruptor de temporizador (TIMER); éste deberá ser puesto en la posición REC en vez de la posición PLAY.

CUIDADO Y MANTENIMIENTO

LUGARES DE ALTA TEMPERATURA CONSTANTE

Evitar la operación de esta unidad cerca de artefactos que irradian calor, sobre un amplificador, o a la luz solar directa. Los extremos de temperatura no sólo causarán la merma de la calidad del sonido, sino también acortarán la vida en servicio útil de esta unidad. Deberán evitarse temperaturas demasiado altas.

TEMPERATURAS EXTREMADAMENTE BAJAS

En tales lugares, los lubricantes se endurecerán y no podrá esperarse una operación satisfactoria. La operación será lenta y el motor impulsor podría sufrir sobrecargas. Evitar las temperaturas demasiado bajas.

LUGARES CON GRAN HUMEDAD

Estos acortarán la vida del equipo debido a la corrosión y posible crecimiento de hongos en las placas de los circuitos impresos.

AMBIENTE POLVORIENTO

Su K-112 es un aparato de precisión y como tal debe protegerse contra el polvo. La operación en un ambiente polvoriento causará excesivo desgaste a la cabeza de la cinta. Sus cintas deben protegerse también contra el polvo.

LIMPIEZA DE LAS CABEZAS

No es posible evitar la formación de un residuo nacido del rozamiento constante entre la cinta, el eje motor y la cabeza. Las cabezas de cinta y el eje motor se deberían limpiar una vez cada dos semanas, o cada 20 horas de operación. Si se observa una caída de brillo en la respuesta de alta frecuencia, posiblemente las cabezas de cinta estén necesitando limpieza. Un isopo de algodón humedecido con los líquidos limpiadores de cabeza deberá ser insertado en el compartimiento de cassette, y frotado contra las superficies de la cabeza y del eje motor. Se deberá tener cuidado de no rayar la superficie de la cabeza. Como alternativa, se ofrece a la venta en casi todos los concesionarios, un cassette especial para la limpieza de cabeza.

Notas:

1. No ejerza demasiada presión durante la limpieza.
2. Tenga cuidado de no dañar las guías de cinta o el elevador del patín de cinta.
3. Cuando para la limpieza utilice isopos de algodón, asegúrese de no dejar ninguna fibra de algodón en las partes limpiadas.

LIMPIEZA DEL GABINETE

Para la limpieza del gabinete utilice un trapo suave. No utilice fluidos tales como bencina o tiner, porque pueden dañar el acabado.

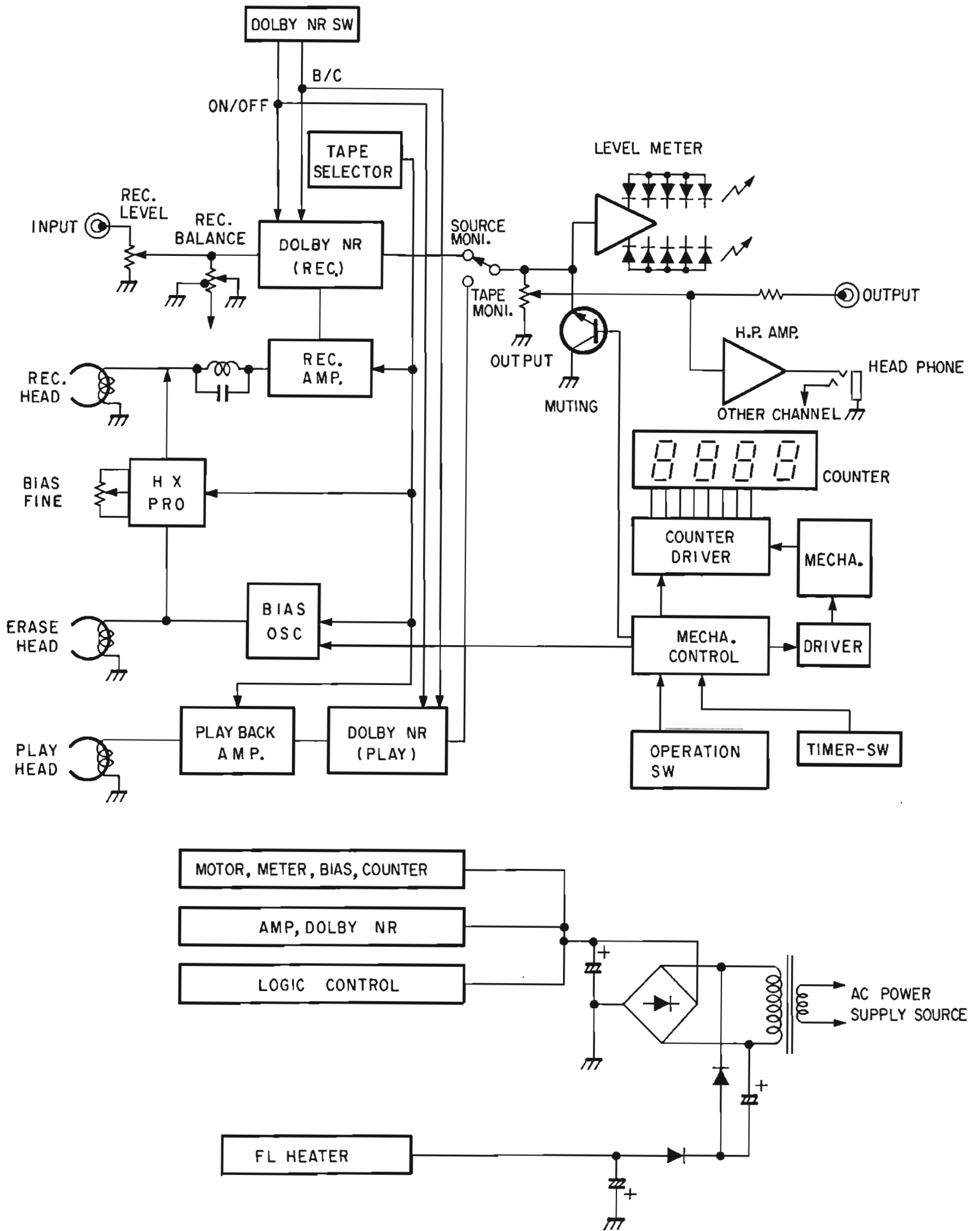
ESPECIFICACIONES

Sistema 4 pistas, 2 canales, 2 motores
Cabezas Cabeza grabadora/Cabeza reproductora:
Hexalam con carrete OFC
Cabeza de borrado: Ferrita
de apertura doble
Velocidad de cinta 4.76cm/seg.
Ululación y trémolo (WRMS) 0,05 %
Relación señal/ruido (400 Hz, 3% Distorsión):
Cinta metal, con Dolby* C..... 72 dB
Cinta metal, con Dolby* B..... 65 dB
Cinta metal, sin Dolby* NR..... 56 dB
Respuesta de frecuencia (—25 dB):
Cinta metal 20 Hz a 22 kHz
(20 Hz a 21 kHz, ± 3 dB)
Cinta CrO₂ 20 Hz a 21 kHz
(20 Hz a 20 kHz, ± 3 dB)
Cinta normal 20 Hz a 20 kHz
(20 Hz a 19 kHz, ± 3 dB)
Distorsión del tercer armónico
(Cinta normal, 400 Hz, 0 dB, 160nWb/m) 0,3%
Sensibilidad de entrada/impedancia
Línea: 90mV/47k ohmios

Nivel de salida/impedancia (+ 3dB, VU).....
Línea: 500mV/2,0k ohmios
Auriculares: 1,25mW/8 ohmios)
Fuente de alimentación 100 a 120V/220 a 240V
Modelo canadiense 120V
Consumo 22W
Dimensiones 438(largo) x 110(alto) x
318,5(ancho) mm
Peso Neto: 4,3 kgs
Bruto: 5,3 kgs

Las especificaciones y el diseño pueden ser cambiados sin previo aviso.

BLOCK DIAGRAM





LUX CORPORATION, JAPAN

1-8, 1-Chome, Nishigotanda, Shinagawa-ku, Tokyo 141, Japan
Phone: 03-493-4381 Facsimile: 03-494-8426

68P81880F55-O
Printed in Japan
Imprimé au Japon
